

# • NOVA • CLASSIC

## INSTALLATION INSTRUCTIONS

(old items on the last pages of this document)



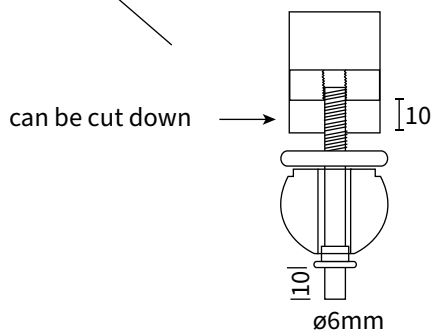
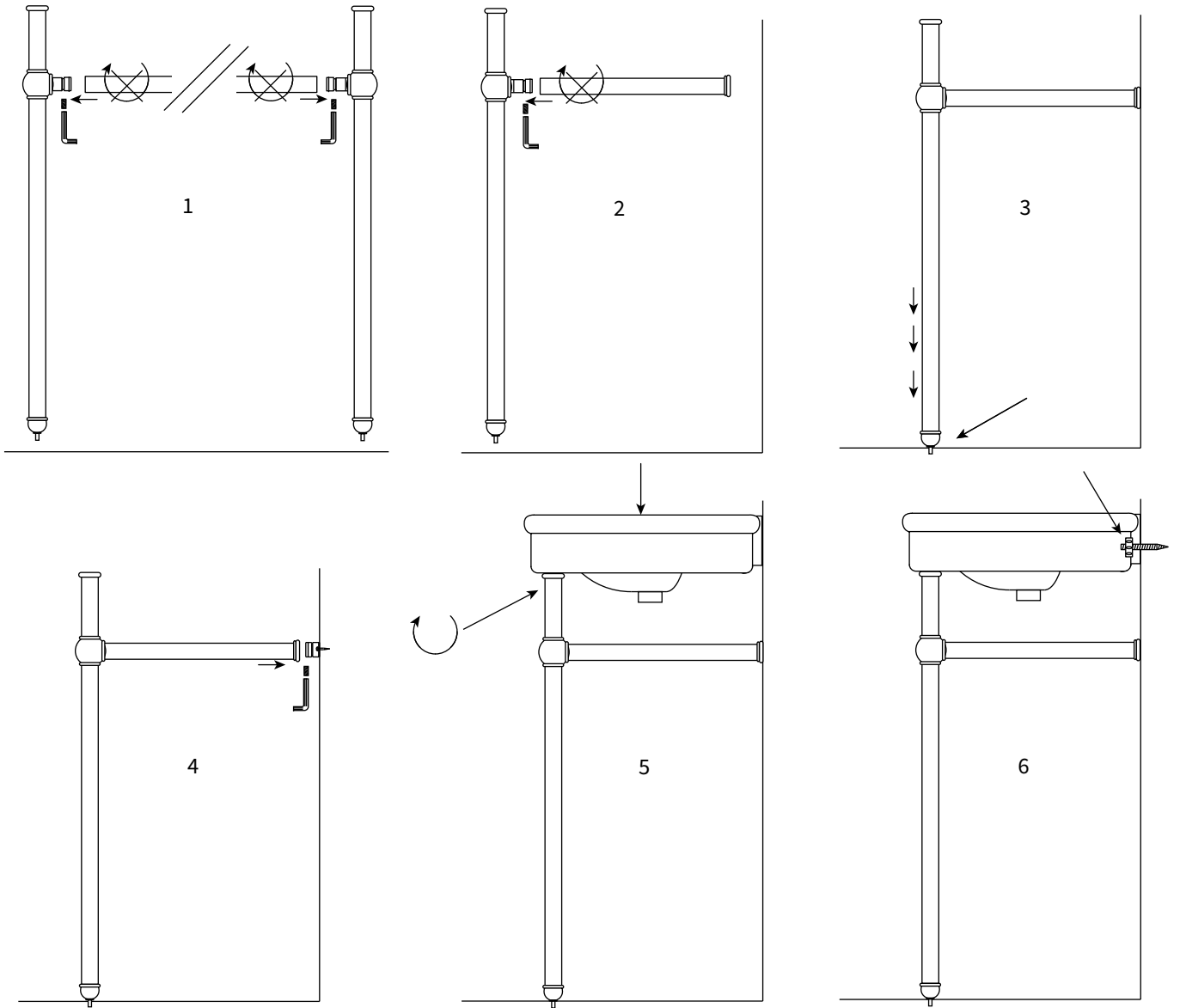
76600 + 76501  
76680 + 76503  
76750 + 76502

# NOVA CLASSIC

Version 27.02.26

Seite/Page/Page 2

JACKSON Basin + BOULE Metal stand



**IMPORTANT:**  
Always use putty that stays soft!



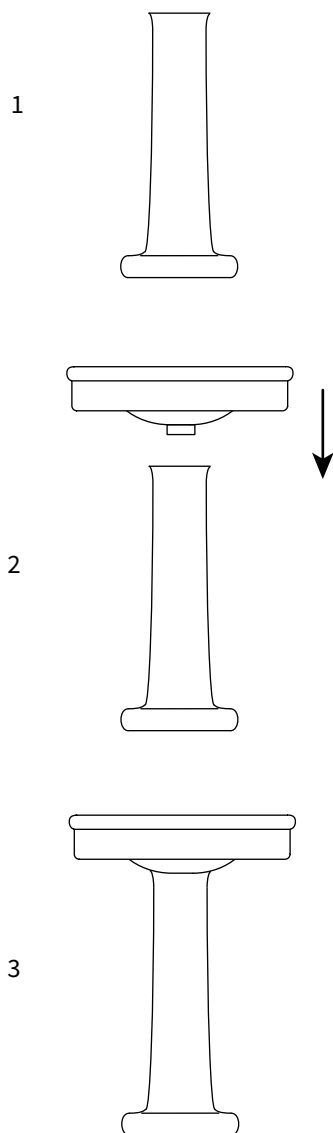
76600 + 76515  
76680 + 76515  
76750 + 76515

# NOVA CLASSIC

Version 27.02.26

Seite/Page/Page 3

JACKSON Basin + JACKSON Pedestal



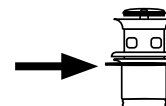
1 Pedestal: Set on the floor

Legs: Put a screw in the floor. Wrap it with tape or putty, so that the leg can move and the leg is protected.

2 Set the basin on to the pedestal/leg

3 Fasten the basin to the wall

**IMPORTANT:**  
Always use putty that stays soft!





76518 + 76519 1/3

**NOVA CLASSIC**

JACKSON Close-coupled lavatory pan with cistern

Version 27.02.26

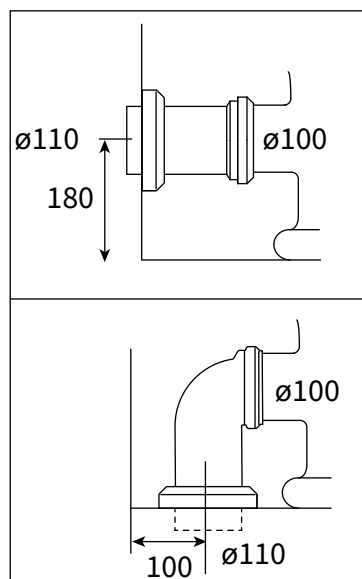
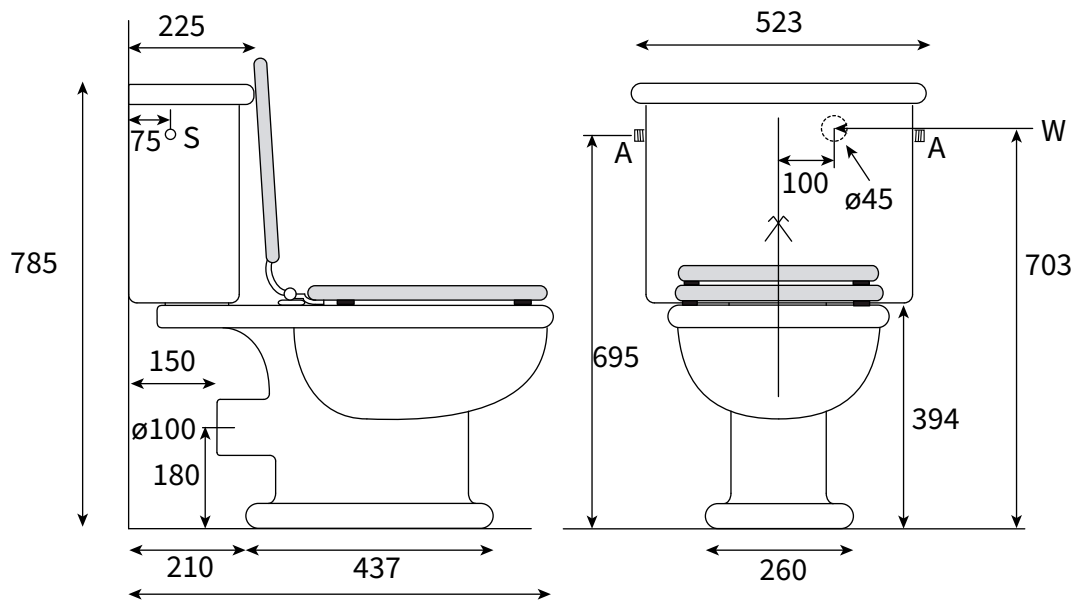
Seite/Page/Page 4

**NEW MODEL (WITH GEBERIT)**

**01.01.26 →**

S 3/8" Intake on the side

W 1/2" Wall inlet





76518 + 76519 2/3

**NOVA CLASSIC**

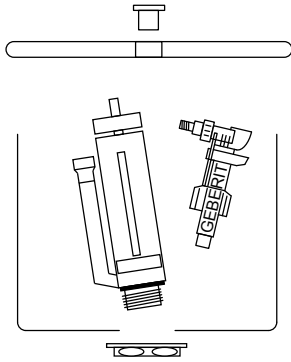
JACKSON Close-coupled lavatory pan with cistern

Version 27.02.26

Seite/Page/Page 5

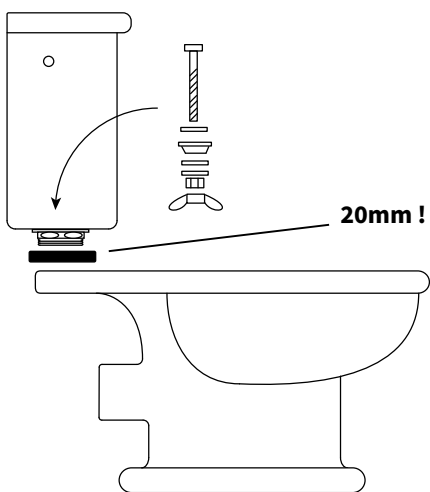
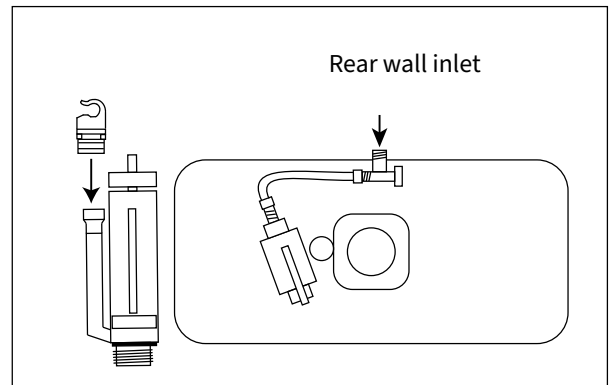
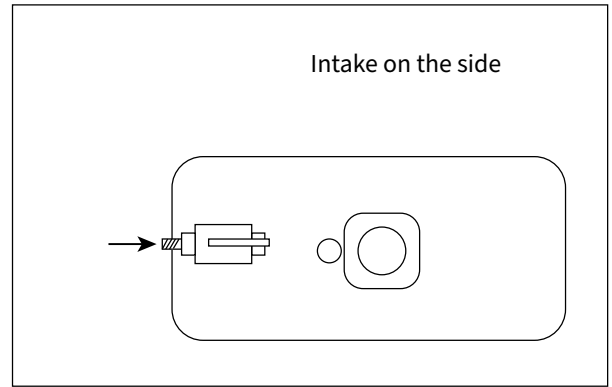
**NEW MODEL (WITH GEBERIT)**

01.01.26 →

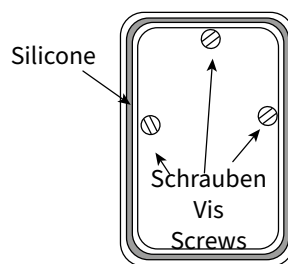


Mount the interior parts  
(Follow the Geberit instructions)

1



Mount the cistern



Mount the foot with silicone, if necessary,  
insert screws to prevent the toilet from  
moving.



Screw the cistern to the wall  
(Watch out, no tension)



76518 + 76519 3/3

**NOVA CLASSIC**

JACKSON Close-coupled lavatory pan with cistern

Version 27.02.26

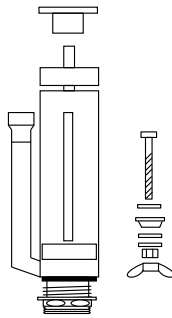
Seite/Page/Page 6

**NEW MODEL (WITH GEBERIT)**

**01.01.26 →**

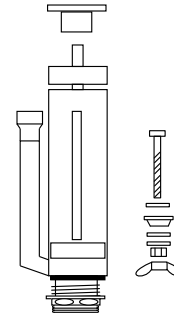
No. 89010  
Intake on the side

Geberit  
282.350.21.2  
Typ 290 dual  
Flush valve



No. 89011  
Rear wall inlet

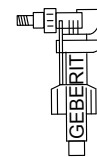
Geberit  
282.350.21.2  
Typ 290 dual  
Flush valve



Geberit  
244.510.00.1  
Typ 380 3/8"  
Filling valve



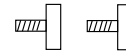
Geberit  
244.510.00.1  
Typ 380 3/8"  
Filling valve



1 pcs  
Side cover



2 pcs  
Side cover



1 pcs 20mm  
Foam donut



1 pcs 20mm  
Foam donut



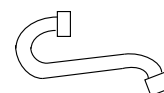
1 pcs  
Geberit  
274.400.00.1  
Clip



1 pcs 1/2 x 3/8"  
Geberit  
240.154.00.1  
Angle stop valve



1 pcs 3/8 x 3/8"  
Geberit  
241.982.00.1  
Connection hose





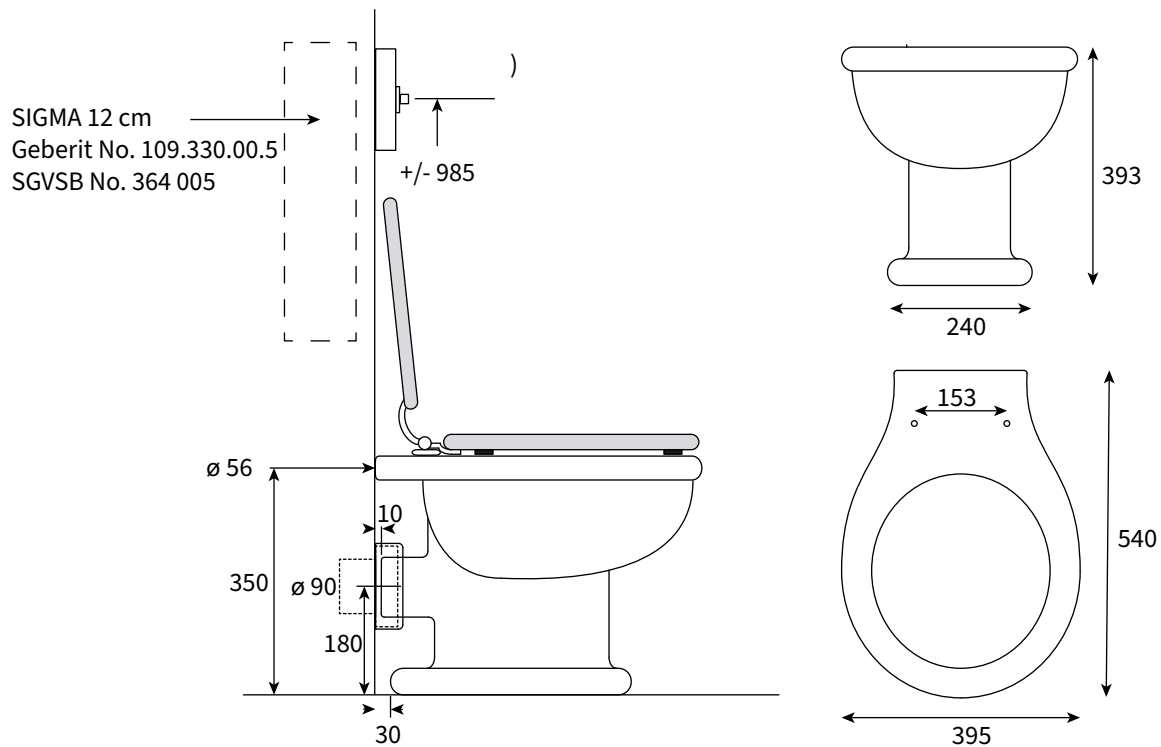
76521

**NOVA CLASSIC**

JACKSON Lavatory pan for concealed cistern

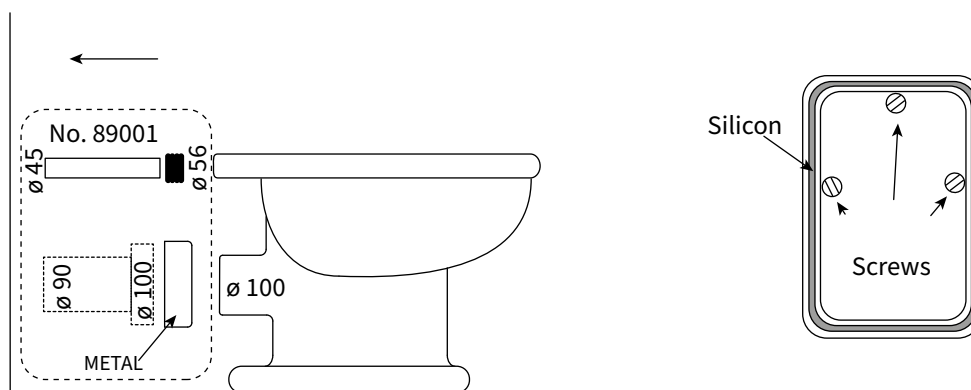
Version 27.02.26

Seite/Page/Page 7



**Fixation of the foot:**

1. Silicone in the groove
2. Put screws in the floor to prevent movement of the pan.





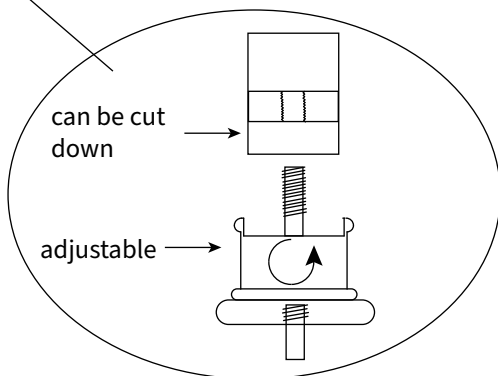
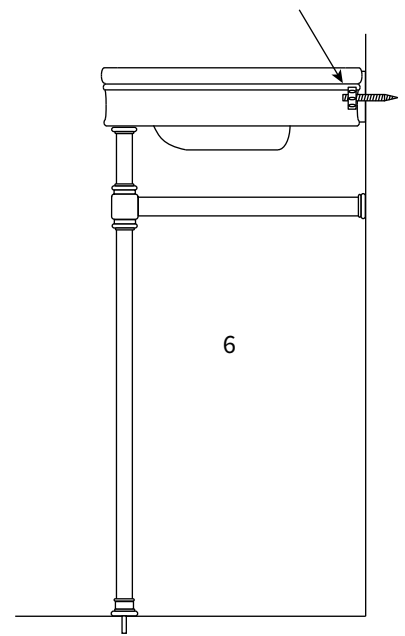
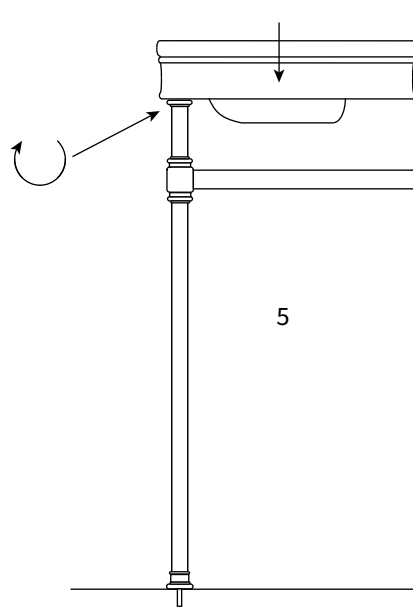
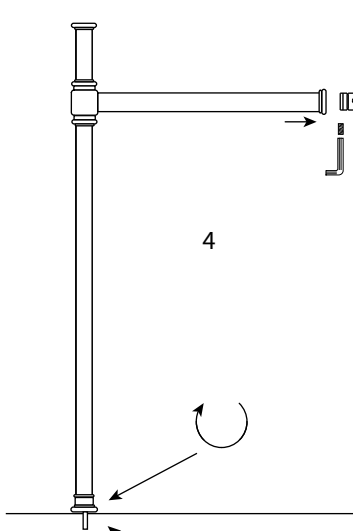
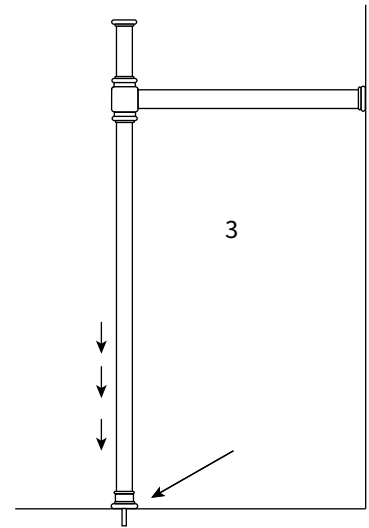
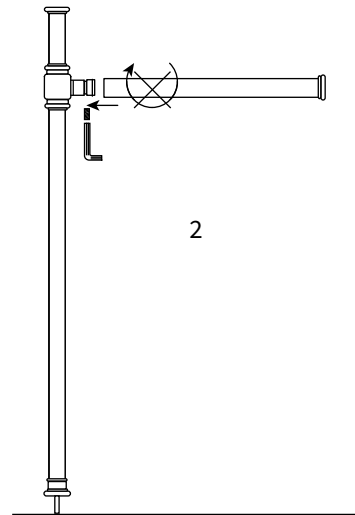
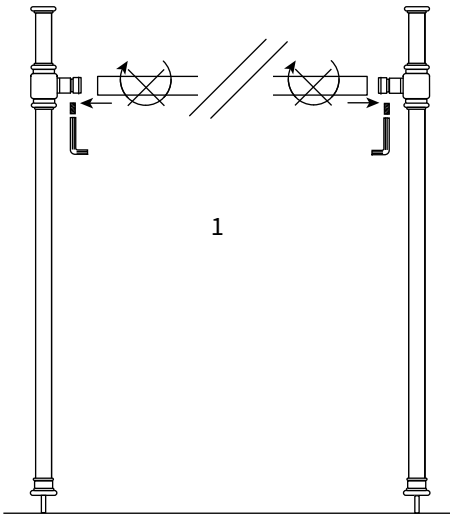
77550 + 77008  
77650 + 77009  
77850 + 77010

# NOVA CLASSIC

Version 27.02.26

Seite/Page/Page 8

REGENT Basin + CYLINDRA Metal stand



**IMPORTANT:**  
Always use putty that stays soft!



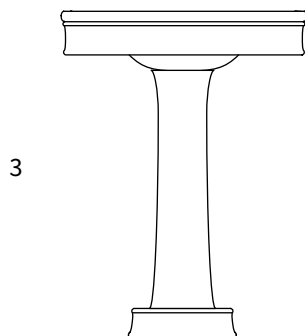
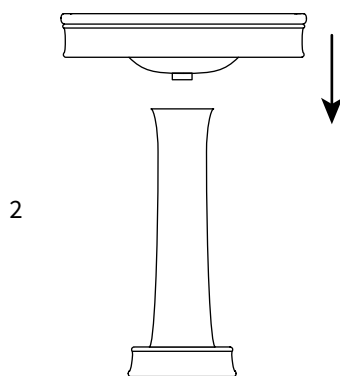
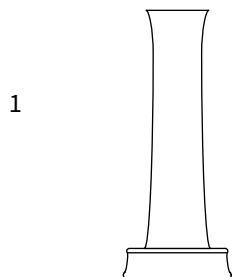
77012 + 77550/77650  
77015 + 77850

**NOVA CLASSIC**

Version 27.02.26

Seite/Page/Page 9

REGENT Basin + REGENT Pedestal

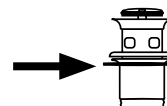


1 Set the pedestal on the floor

2 Set the basin on to the pedestal

3 Fasten the basin to the wall

**IMPORTANT:**  
Always use putty that stays soft!







77025 + 77021 1/3

**NOVA CLASSIC**

REGENT Low level cistern

Version 27.02.26

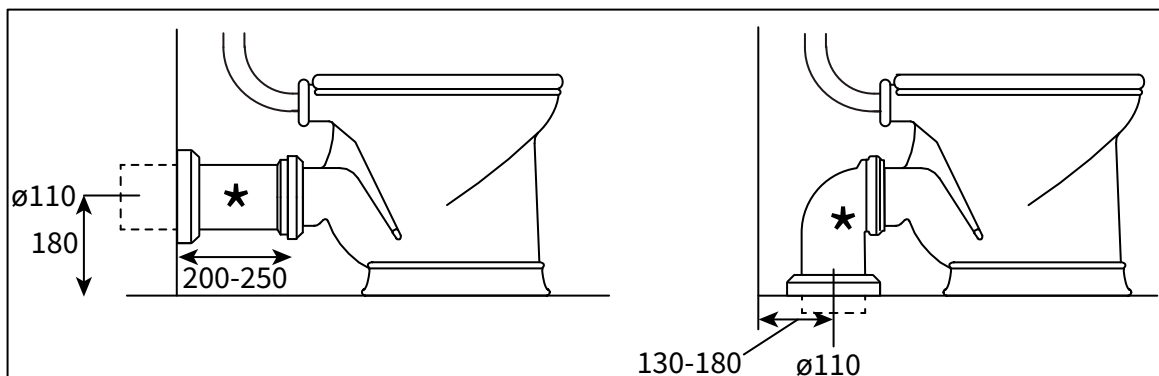
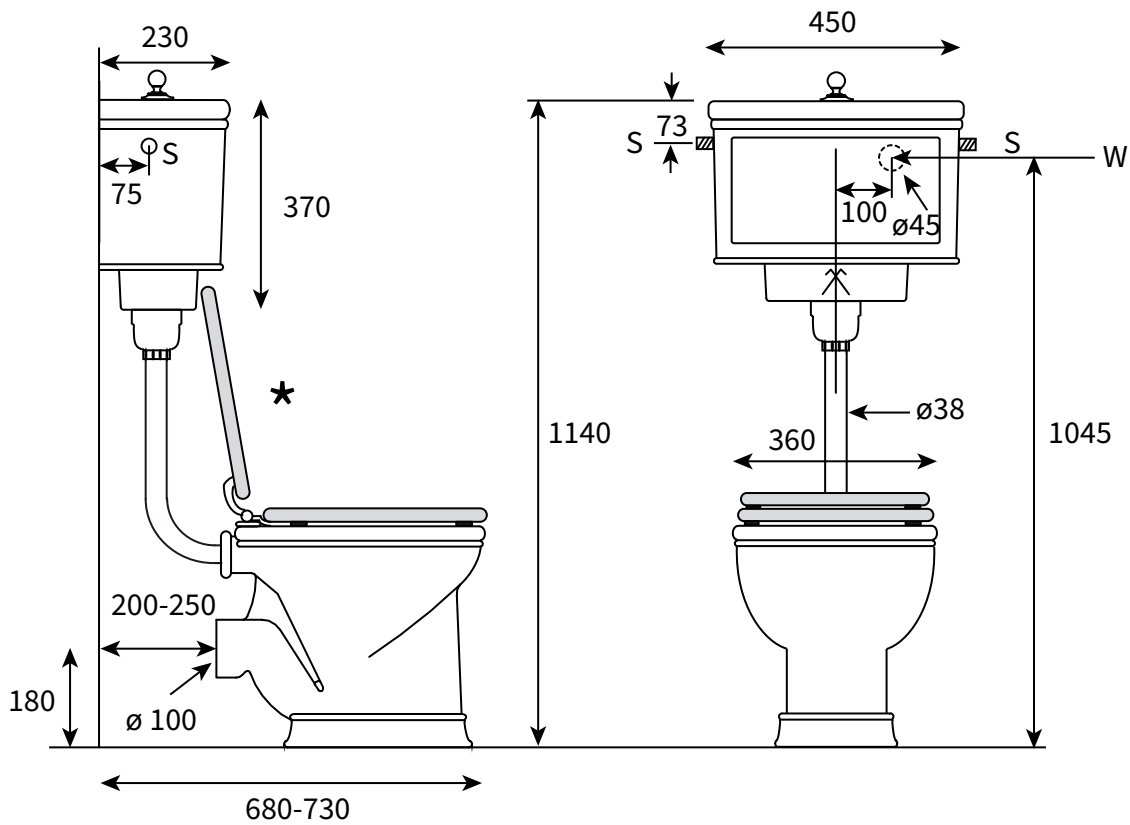
Seite/Page/Page 11

**NEW MODEL (WITH GEBERIT)**

**01.01.26 →**

S 3/8" Intake on the side

W 1/2" Wall inlet





77025 + 77021 2/3

**NOVA CLASSIC**

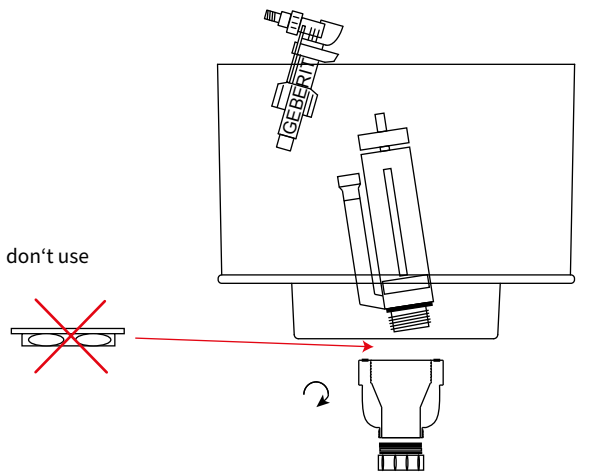
REGENT Low level cistern

Version 27.02.26

Seite/Page/Page 12

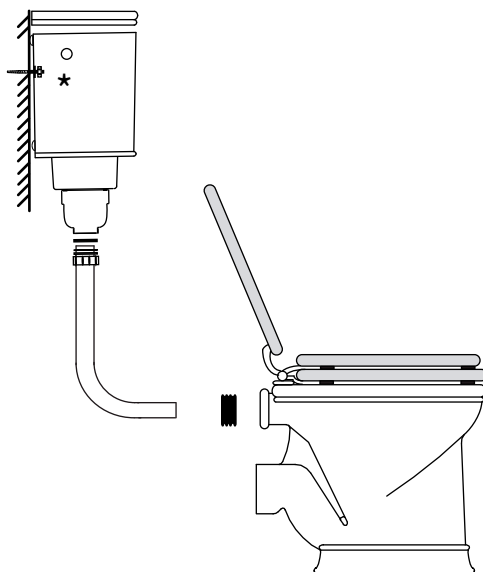
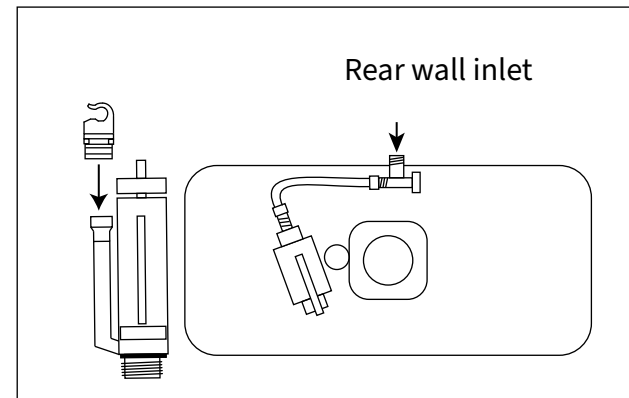
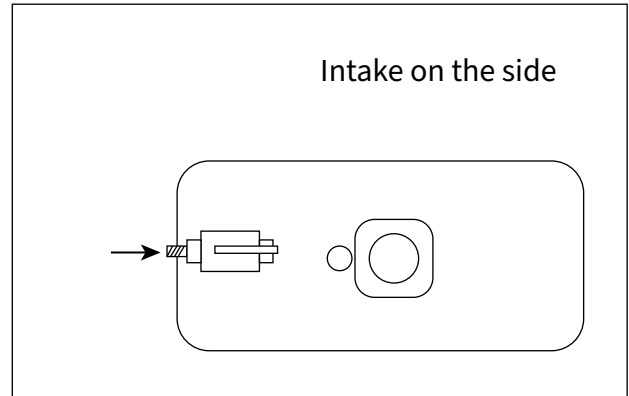
**NEW MODEL (WITH GEBERIT)**

**01.01.26 →**

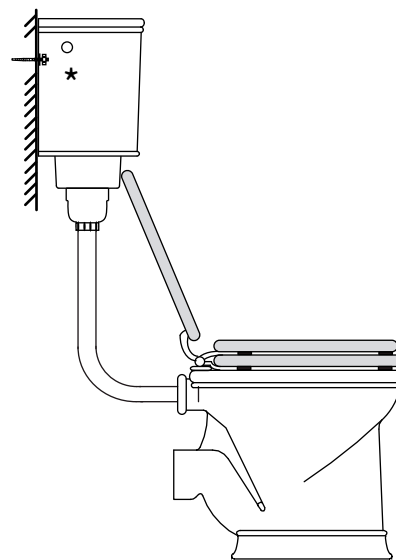


Mount the interior parts  
(Follow the Geberit instructions)

1



\* fasten loosely



\* fasten carefully



77025 + 77021 3/3

**NOVA CLASSIC**

REGENT Low level cistern

Version 27.02.26

Seite/Page/Page 13

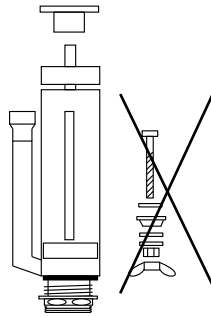
**NEW MODEL (WITH GEBERIT)**

**01.01.26 →**

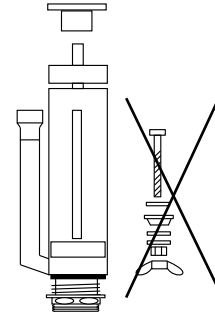
No. 89010  
Intake on the side

No. 89011  
Rear wall inlet

Geberit  
282.350.21.2  
Typ 290 dual  
Flush valve



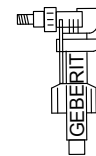
Geberit  
282.350.21.2  
Typ 290 dual  
Flush valve



Geberit  
244.510.00.1  
Typ 380 3/8"  
Filling valve



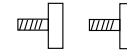
Geberit  
244.510.00.1  
Typ 380 3/8"  
Filling valve



1 pcs  
Side cover



2 pcs  
Side cover



~~★ 1 pcs 20mm  
Foam donut~~



~~★ 1 pcs 20mm  
Foam donut~~



\*Nicht verwenden für diesen Artikel.

\*N'utilisez pas pour cette article.

\*Don't use for this item.

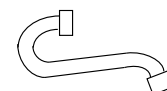
1 pcs  
Geberit  
274.400.00.1  
Clip



1 pcs 1/2 x 3/8"  
Geberit  
240.154.00.1  
Angle stop valve



1 pcs 3/8 x 3/8"  
Geberit  
241.982.00.1  
Connection hose





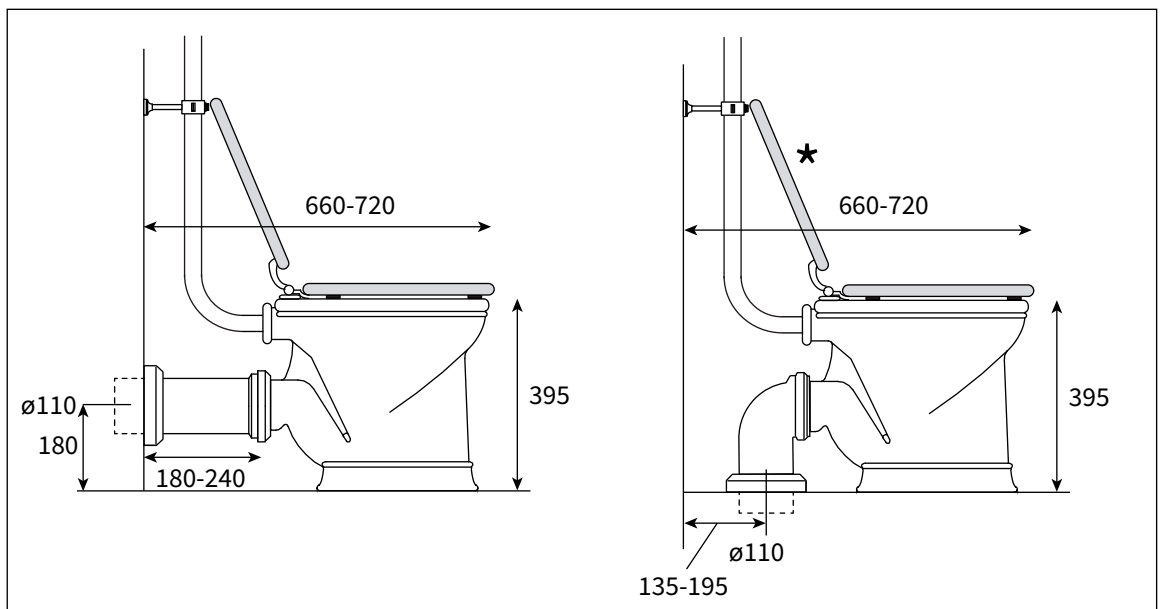
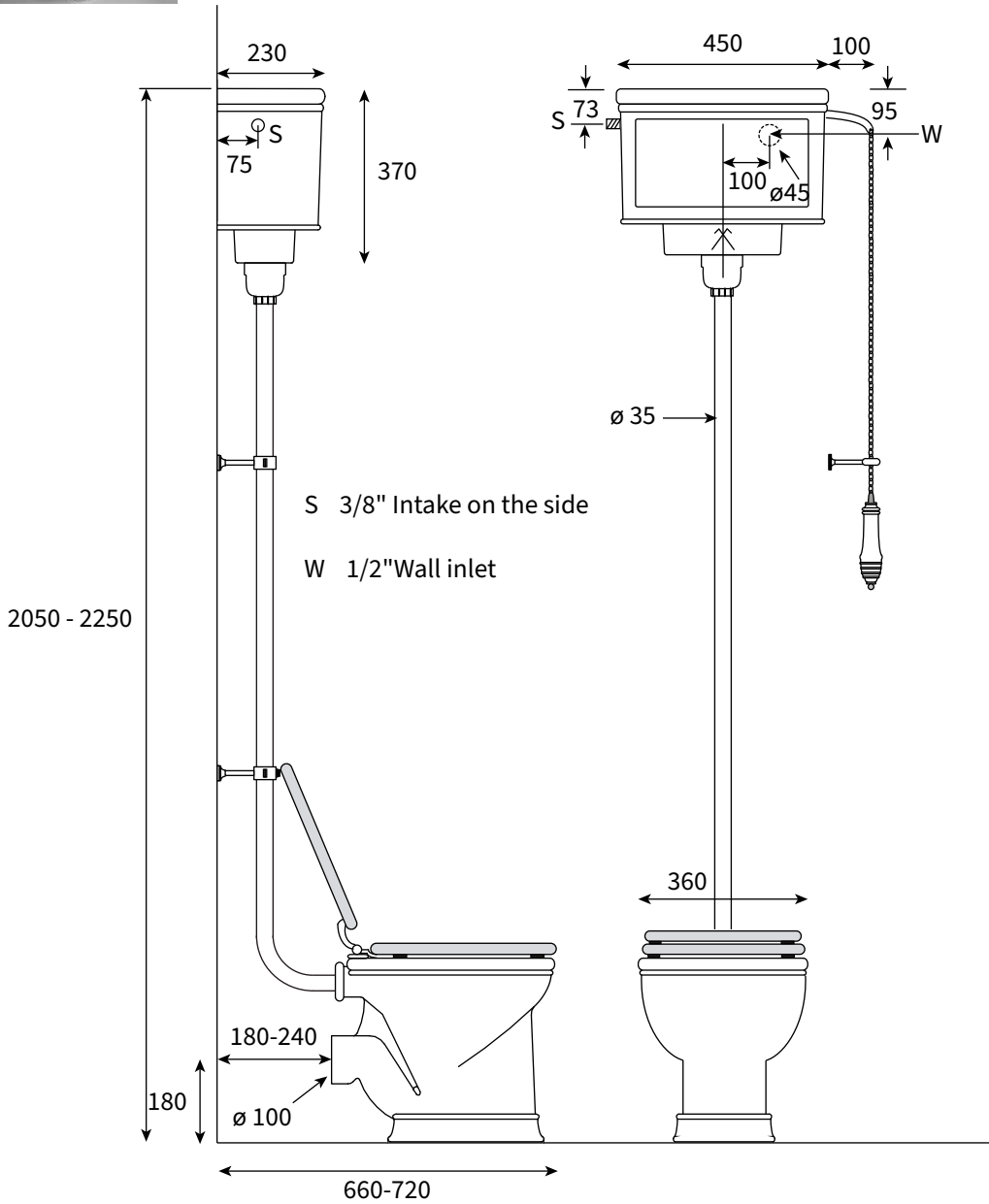
77026 + 77021 1/4

**NOVA CLASSIC**

REGENT High level cistern

Version 27.02.26

Seite/Page/Page 14





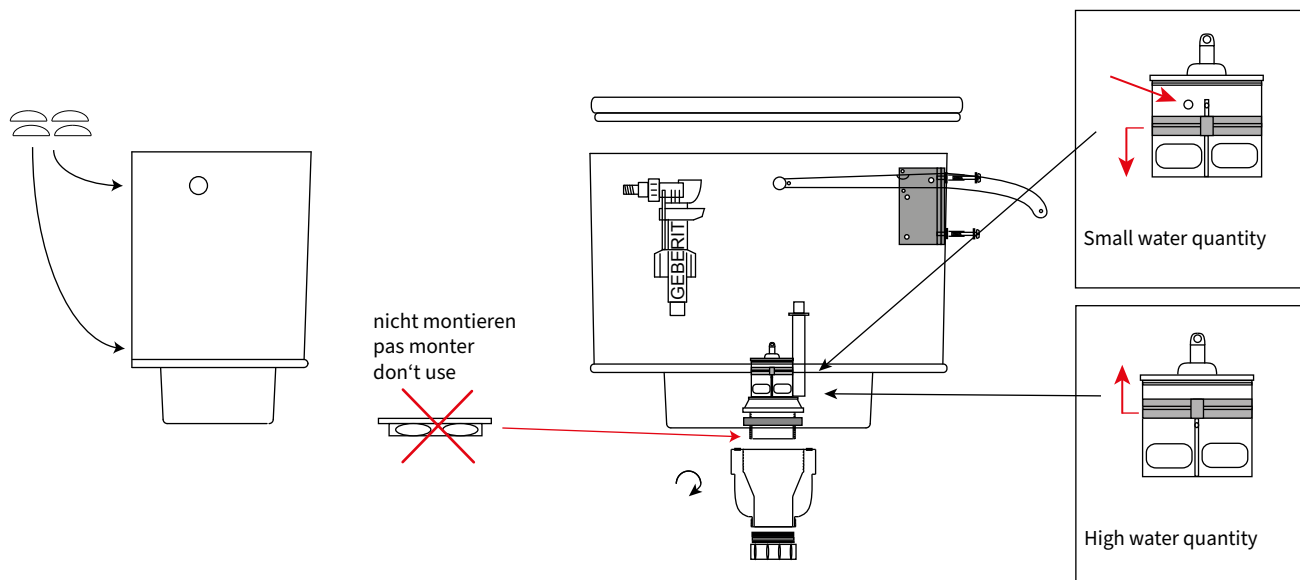
77026 + 77021 2/4

**NOVA CLASSIC**

Version 27.02.26

REGENT High level cistern

Seite/Page/Page 15

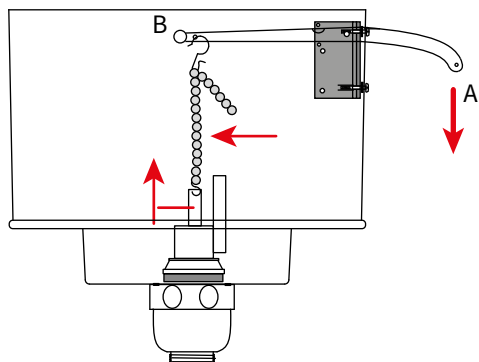


Mount the silicone protections

Mount the interior parts

1

2



Lift the flush valve until it hits the stop, at the same time pull the arm (A) until it hits the stop. Then fasten the hook (B).

**IMPORTANT:** If there is tension on the chain, it will break.  
Adjust by moving the hook up or down on the chain.

3



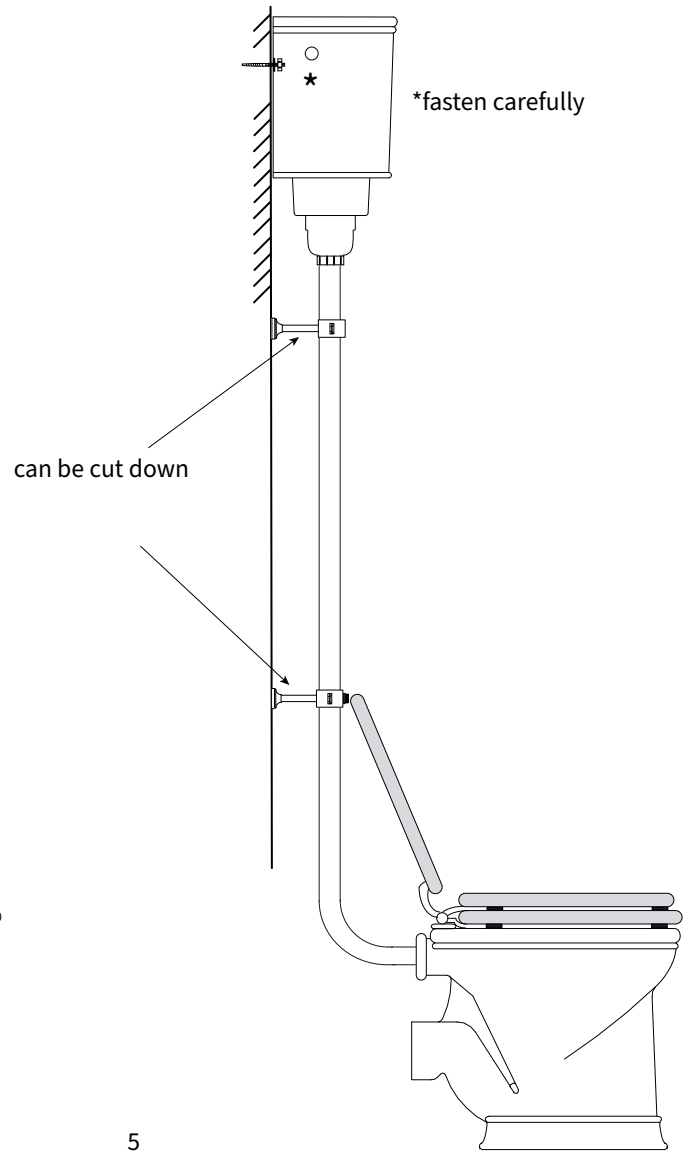
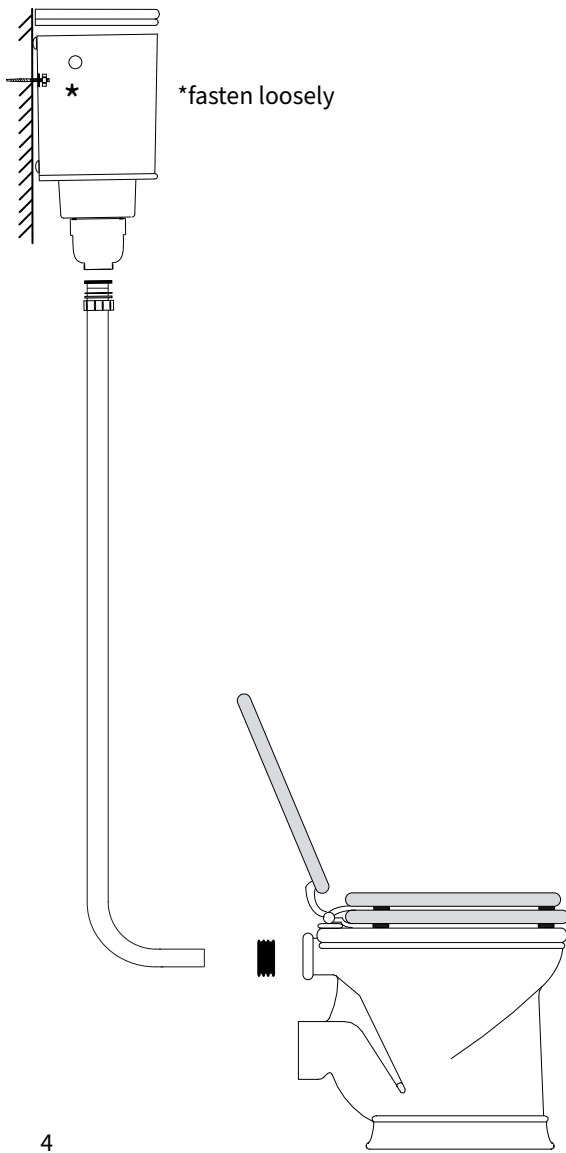
77026 + 77021 3/4

REGENT High level cistern

**NOVA CLASSIC**

Version 27.02.26

Seite/Page/Page 16





77026 + 77021 4/4

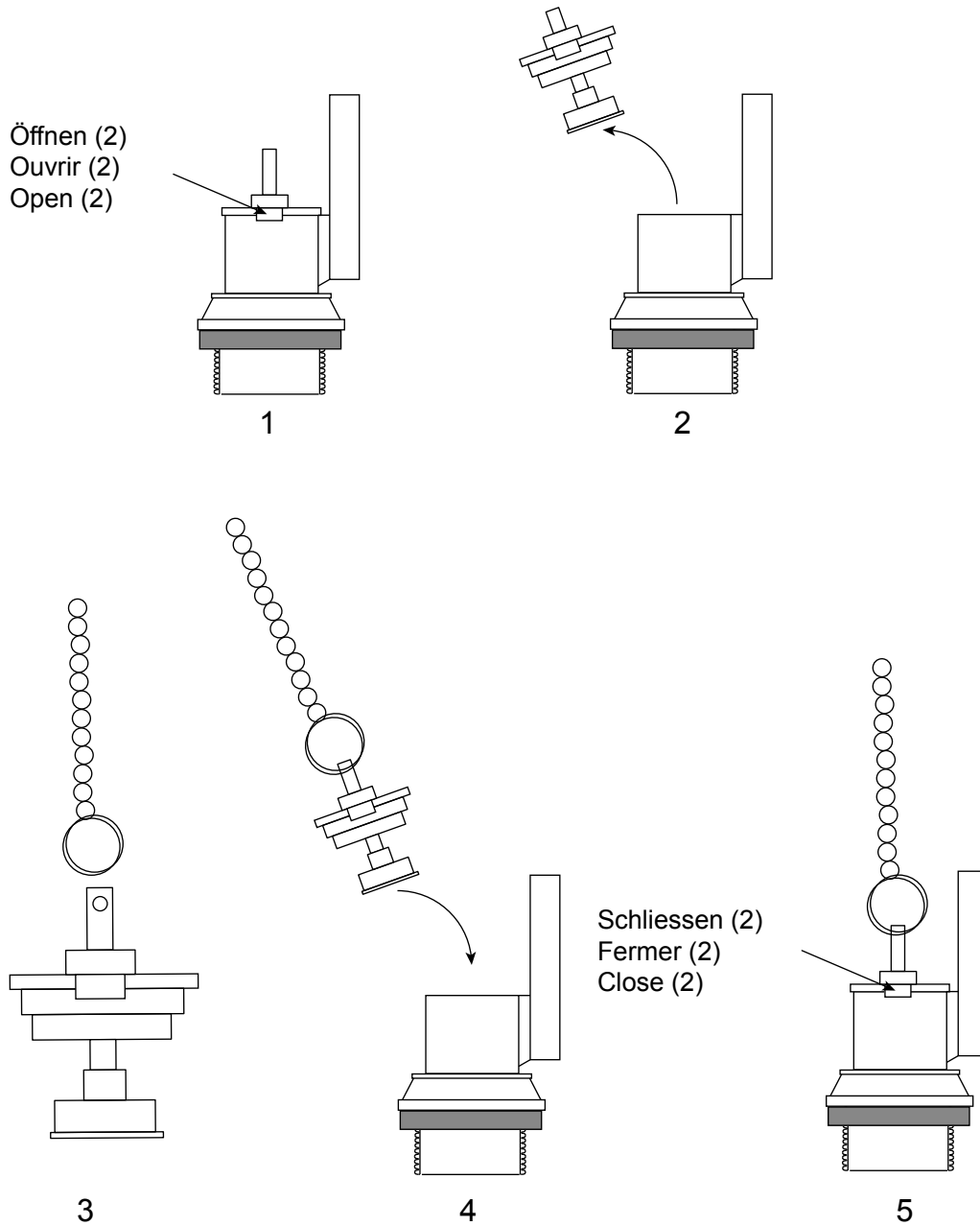
REGENT High level cistern

**NOVA CLASSIC**

Version 27.02.26

Seite/Page/Page 17

### Replacement of the chain





76518 + 76519 1/3

**NOVA CLASSIC**

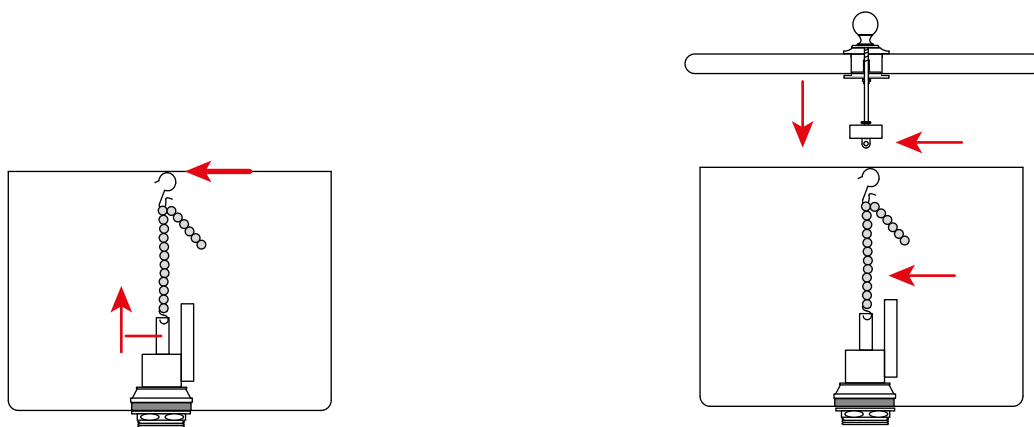
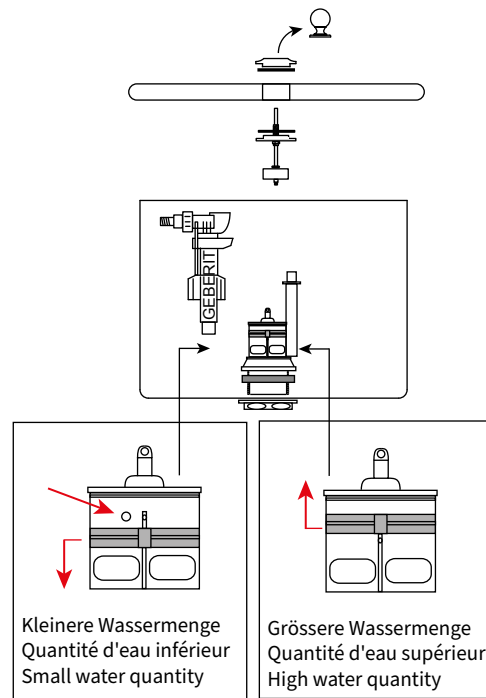
JACKSON Close-coupled lavatory pan with cistern

Version 27.02.26

Seite/Page/Page 18

**OLD MODELL**

➔ 31.12.2025



**Rough adjustment:**

Lift the flush valve until it hits the stop. Adjust the chain so that the top of the hook is at the top edge of the cistern.

**Fine adjustment:**

1. Remove the knob
2. Attach the hook onto the pull rod so that the pull rod can be pulled all the way to the upper stop and the flush is fully triggered. This is a fine adjustment and requires a little patience.

**IMPORTANT:** IF THE CHAIN IS UNDER TENSION, IT WILL BREAK!



76518 + 76519 2/3

**NOVA CLASSIC**

JACKSON Close-coupled lavatory pan with cistern

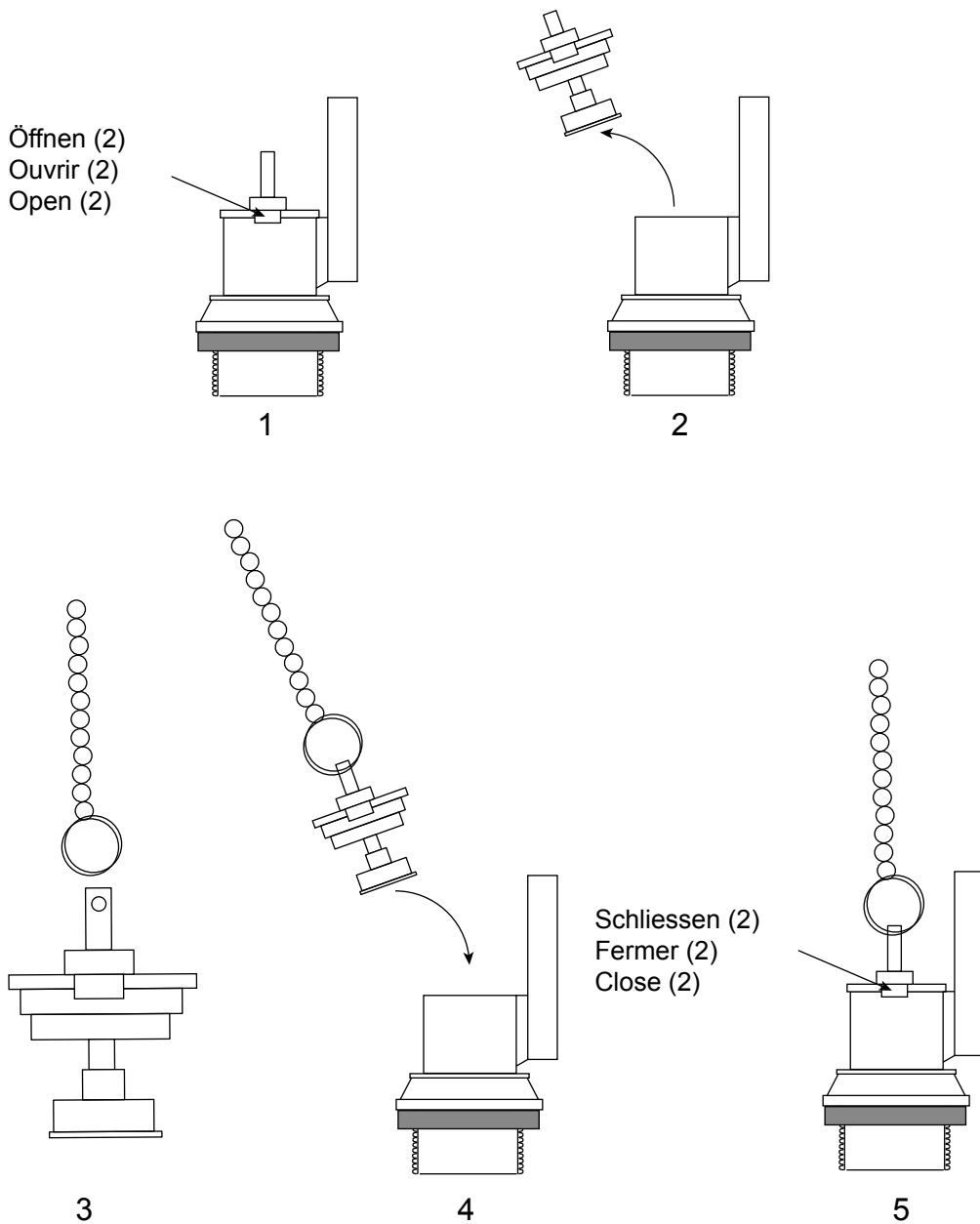
Version 27.02.26

Seite/Page/Page 19

**OLD MODELL**

➔ 31.12.2025

**Replacement of the chain**





76518 + 76519 3/3

**NOVA CLASSIC**

JACKSON Close-coupled lavatory pan with cistern

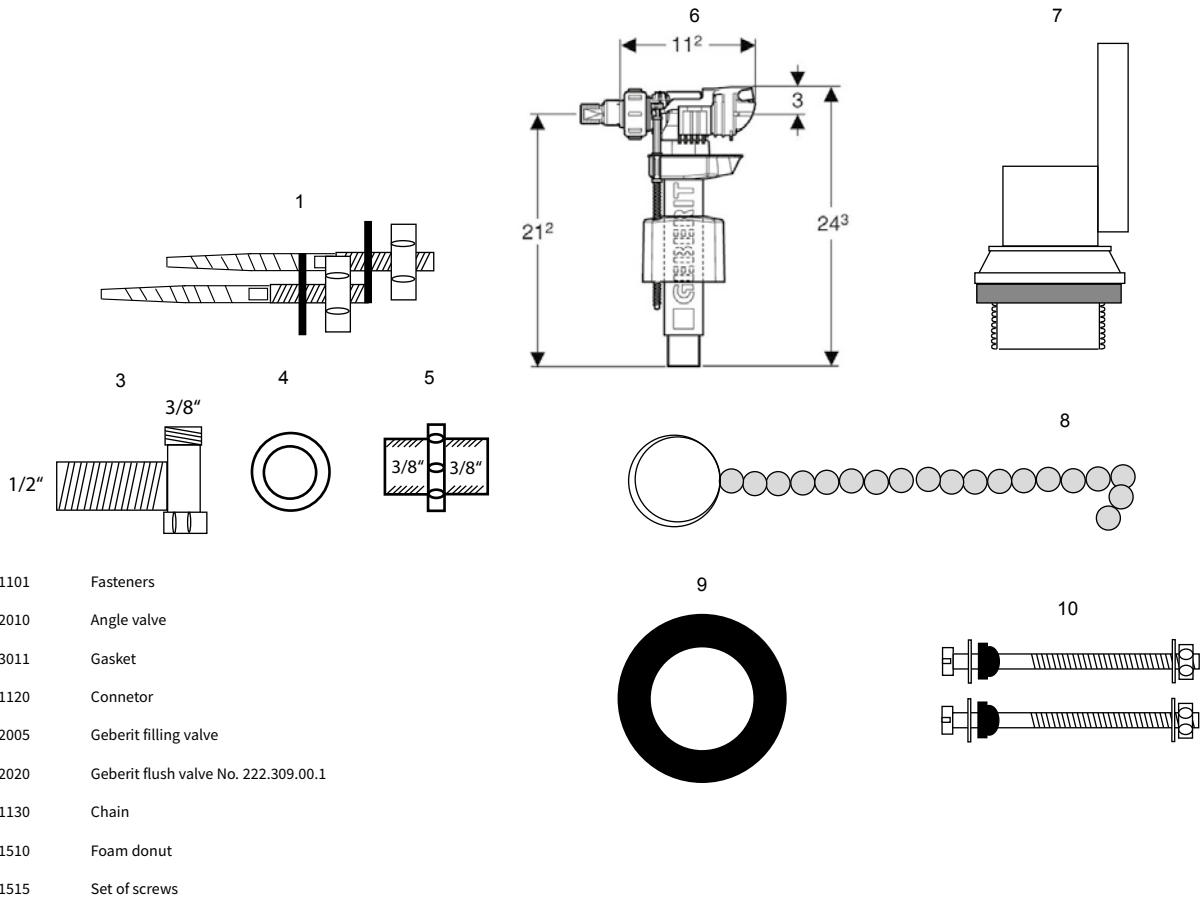
Version 27.02.26

Seite/Page/Page 20

**OLD MODELL**

➔ 31.12.2025

### Spare partes for Interior



- |    |        |                                      |
|----|--------|--------------------------------------|
| 1  | A51101 | Fasteners                            |
| 3  | A52010 | Angle valve                          |
| 4  | A53011 | Gasket                               |
| 5  | A51120 | Conneter                             |
| 6  | A52005 | Geberit filling valve                |
| 7  | A52020 | Geberit flush valve No. 222.309.00.1 |
| 8  | A51130 | Chain                                |
| 9  | A51510 | Foam donut                           |
| 10 | A51515 | Set of screws                        |



- |   |        |                 |
|---|--------|-----------------|
| 1 | A5121X | Handle          |
| 2 | A5120X | Flange          |
| 3 | A53109 | Silicone gasket |
| 4 | A51231 | Bottom flange   |
| 5 | A51240 | Pull            |
| 6 | A51240 | O-Ring          |
| 7 | A51237 | Weight          |
| 8 | A51238 | Connector       |



77025 + 77021 1/3

REGENT Low level cistern

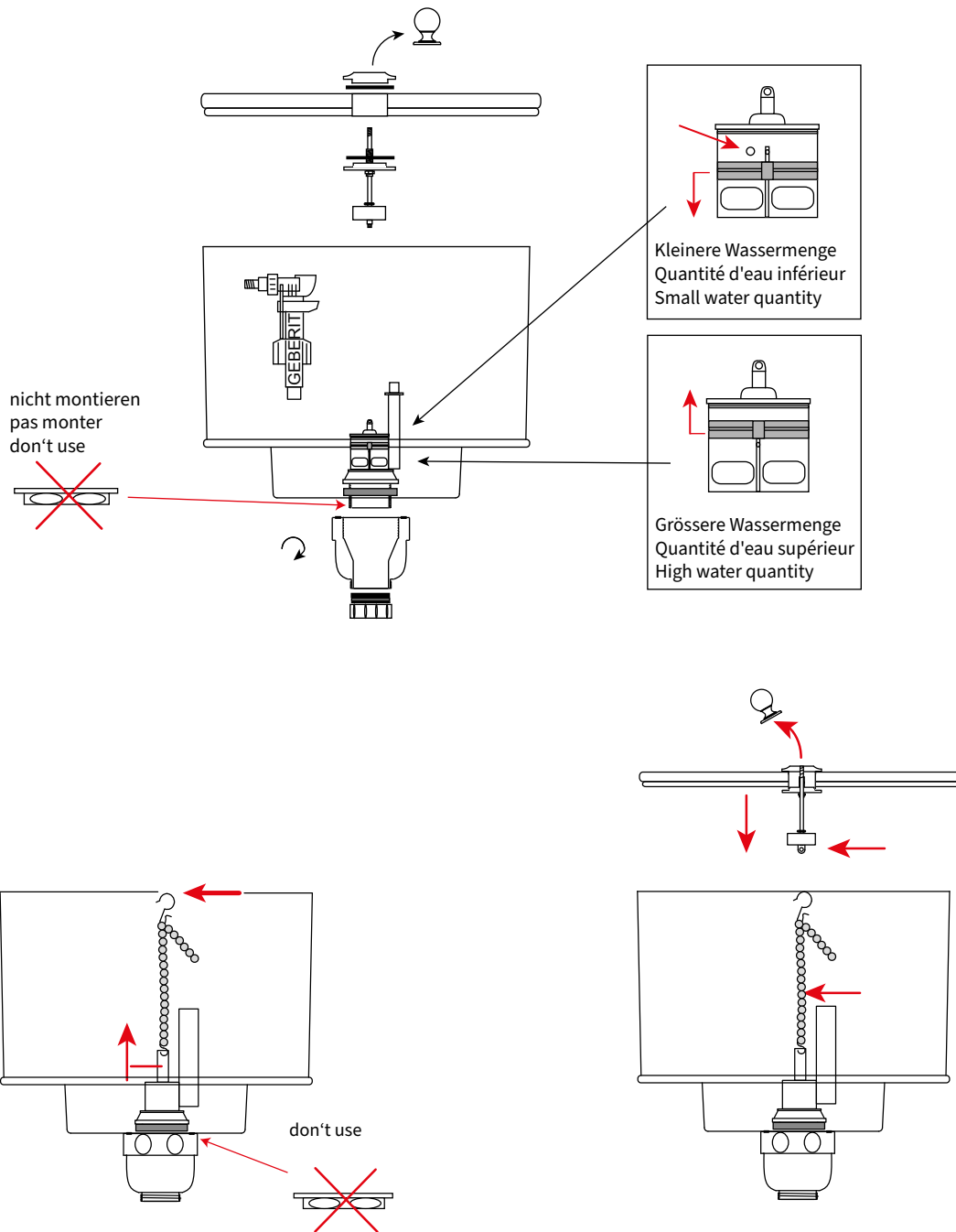
**NOVA CLASSIC**

Version 27.02.26

Seite/Page/Page 21

**OLD MODELL**

➔ 31.12.2025



**Rough adjustment:**

Lift the flush valve until it hits the stop. Adjust the chain so that the top of the hook is at the top edge of the cistern.

**Fine adjustment:**

1. Remove the knob
2. Attach the hook onto the pull rod so that the pull rod can be pulled all the way to the upper stop and the flush is fully triggered. This is a fine adjustment and requires a little patience.

**IMPORTANT:** IF THE CHAIN IS UNDER TENSION, IT WILL BREAK!



77025 + 77021 2/3

REGENT Low level cistern

**NOVA CLASSIC**

Version 27.02.26

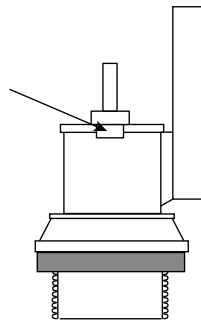
Seite/Page/Page 22

**OLD MODELL**

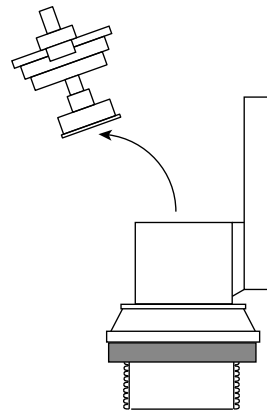
➔ 31.12.2025

### Replacement of the chain

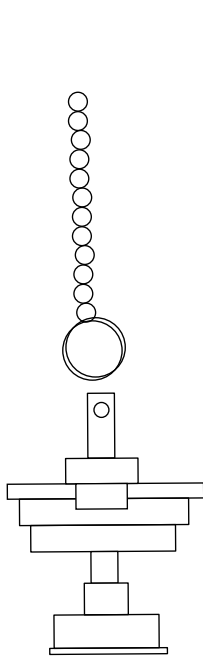
Öffnen (2)  
Ouvrir (2)  
Open (2)



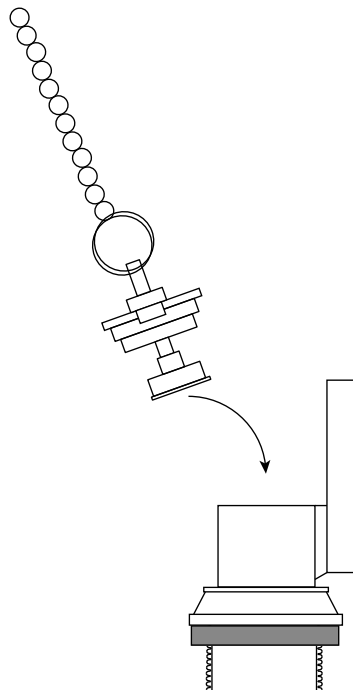
1



2

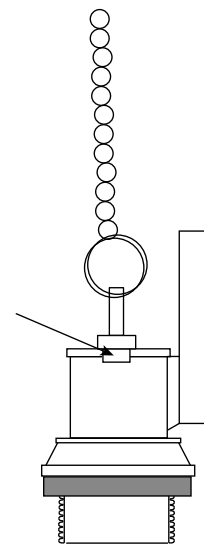


3



4

Schliessen (2)  
Fermer (2)  
Close (2)



5



77025 + 77021 3/3  
REGENT Low level cistern

**NOVA CLASSIC**

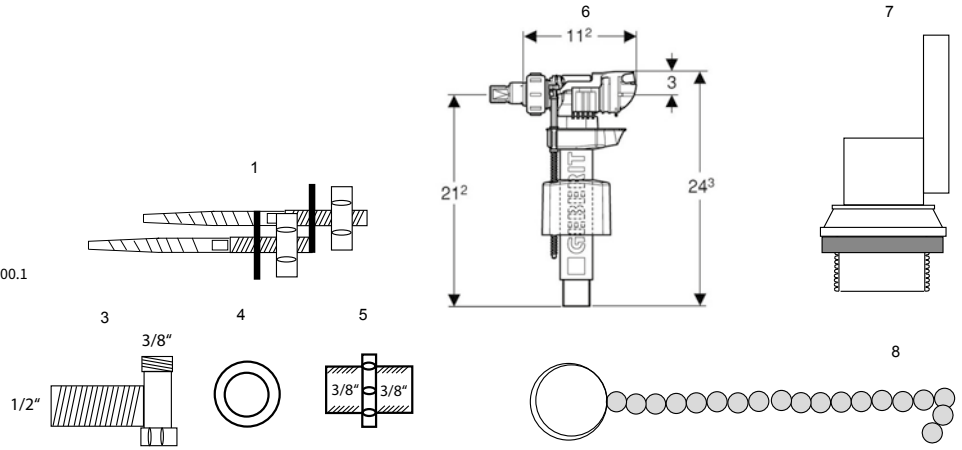
Version 27.02.26

Seite/Page/Page 23

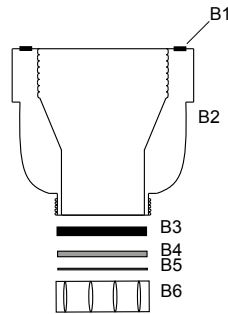
**OLD MODELL**  
➔ 31.12.2025

**Spare partes for Interior**

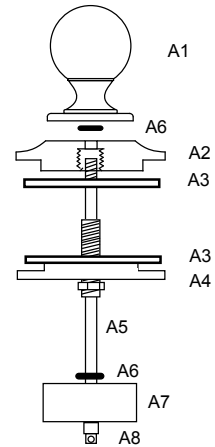
- 1 A51101 Fasteners
- 3 A52010 Angle valve
- 4 A53011 Gasket
- 5 A51120 Connetor
- 6 A52005 Geberit filling valve
- 7 A52020 Geberit flush valve No. 222.309.00.1
- 8 A51130 Chain



- B1 A53105 Silicon gasket 72x64x2mm
- B2 A5130X Adapter 38mm
- B3 A53114 Black gasket 44x38x5mm
- B4 A51319 Ring ø38mm x 3mm
- B5 A51318 Ring ø38mm x 1mm
- B6 A5131X Fastener



- 1 A5121X Handle
- 2 A5120X Flange
- 3 A53109 Silicone gasket
- 4 A51231 Bottom flange
- 5 A51240 Pull
- 6 A51240 O-Ring
- 7 A51237 Weight
- 8 A51238 Connector



- C1 A5135X Tube ø38mm
- C2 A5136X Adapter
- C3 A53208 O-Ring 37.77 x 2.62 mm
- C4 A52031 Geberit gasket ø 44 x 55 mm  
Geberit No. 119.668.00.1
- C5 A52038 Gasket ø 38 x 55 mm  
(nicht Geberit)

