

• NOVA • CLASSIC

Hand made in England

NOVA-CLASSIC Ltd.
6, Sancroft Street
London SE11 5UD
www.nova-classic.com
info@nova-classic.com

Distributors

Switzerland
THE BATH SHOP
the-bath-shop.com

England
THE WATER MONOPOLY LTD
www.thewatermonopoly.com

Germany
MATERIAL + KONZEPT
www.material-konzept.de

Denmark
AQUADOMO
www.aquadomo.dk

Norway
RESERVOIR
www.reservoir.no

Australia
The English Tapware Company Ltd.
www.englishtapware.com.au

New Zealand
In Residence Ltd.
www.inres.co.nz

REGENT GRAND 85 x 57cm
Basin with metal stand

·NOVA·
CLASSIC



REGENT GRAND 85 x 57 cm
Basin with pedestal

·NOVA·
CLASSIC



REGENT 55 x 43cm / 65 x 51 cm
Basin with metal stand

·NOVA·
CLASSIC



REGENT 55 x 43cm / 65 x 51 cm
Basin with pedestal

·NOVA·
CLASSIC



REGENT
WC pan



·NOVA·
CLASSIC



REGENT
WC pan
with high level cistern

·NOVA·
CLASSIC



REGENT
WC pan with low level cistern

·NOVA·
CLASSIC



JACKSON 59 x 47 cm / 74 x 53 cm
Basin with metal stand

·NOVA·
CLASSIC



JACKSON 59 x 47 cm / 74 x 53 cm
Basin with pedestal

·NOVA·
CLASSIC



JACKSON 68 x 50 cm
Splashback basin with metal frame

·NOVA·
CLASSIC



JACKSON 68 x 50 cm
Splashback basin with pedestal

·NOVA·
CLASSIC



JACKSON 68 x 50 cm
Splashback basin with wooden cabinet

·NOVA·
CLASSIC



JACKSON 48 x 30 cm
Cloakroom basin
available with one or two tapholes
for pillar taps

·NOVA·
CLASSIC



JACKSON
WC pan „back to wall“

·NOVA·
CLASSIC



JACKSON
WC lavatory pan C/C close coupled

·NOVA·
CLASSIC



REGENT GRAND

Basin with metal stand

The basins of this series are made for us in England. Our distinct design is based on shapes from the roaring 1920s. This big model has generous space around the bowl. As an option the basin is available with holes on both sides to fit on towelbars. Should that only be possible on one side, we can provide cover-flanges for the holes on the other side.

On the wall side of the basin there is a offset to the bottom, so the seal isn't visible.

The basin is available with one or three holes for the faucets.

A REGENT 85x57cm

One hole	77850.1L
Three holes	77850.3L

B REGENT 85x57cm with holes on both sides for towel rail

One hole	77850.1L.HT
Three holes	77850.3L.HT

C CYLINDRA Metal stand for 85x57cm

Size:	
Height: 745	
Frontbar: 750 CTC	
Sidebars: 530WTC	
Polished Nickel	70000-REG85 PN
Chrome	70000-REG85 CP

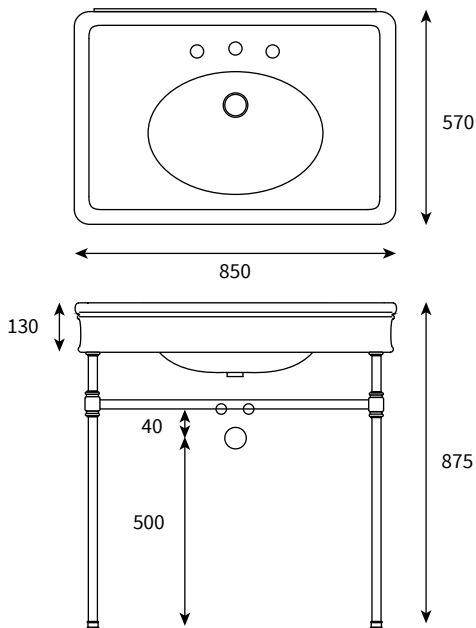
D REGENT Towel rail (metal)

80 mm , 325mm long	
Polished Nickel	4-370 NP
Chrome	4-370 CP

E REGENT Coverflanges (Set of 2)

Polished Nickel	4-372 NP
Chrome	4-372 CP

·NOVA· CLASSIC



REGENT GRAND

Basin with pedestal

·NOVA· CLASSIC

The basins of this series are made for us in England. Our distinct design is based on shapes from the roaring 1920s. This big model has generous space around the bowl.

As an option the basin is available with holes on both sides to fit on towelbars. Should that only be possible on one side, we can provide cover-flanges for the holes on the other side.

On the wall side of the basin there is a offset to the bottom, so the seal isn't visible.

The pedestal foot wraps around the back completely, so that the design isn't interrupted. There is a big opening above it for the siphon.

The basin is available with one or three holes for the faucets.

A REGENT 85x57cm

One hole	77850.1L
Three holes	77850.3L

B REGENT 85x57cm with holes on both sides for towel rail

One hole	77850.1L.HT
Three holes	77850.3L.HT

C REGENT Pedestal for 85 x 57cm

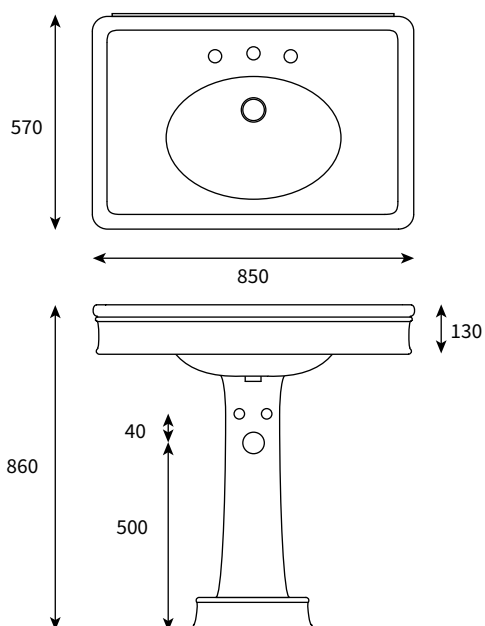
77015.00

D REGENT Towel rail (metal)

80 mm , 325mm long	
Polished Nickel	4-370 NP
Chrome	4-370 CP

E REGENT Coverflanges (Set of 2)

Polished Nickel	4-372 NP
Chrome	4-372 CP



REGENT

Basin with metal stand

The basins of this serie are made for us in England. Our destinct design is based on shapes from the roaring 1920s.

Available in two sizes.

On the wall side of the basin there is a offset to the bottom, so the seal isn't visible .

The basin is available with one or three holes for the faucets.

REGENT 55x43cm

One hole 77550.1L
 Three holes 77550.3L

CYLINDRA Metal stand for 55 x43cm

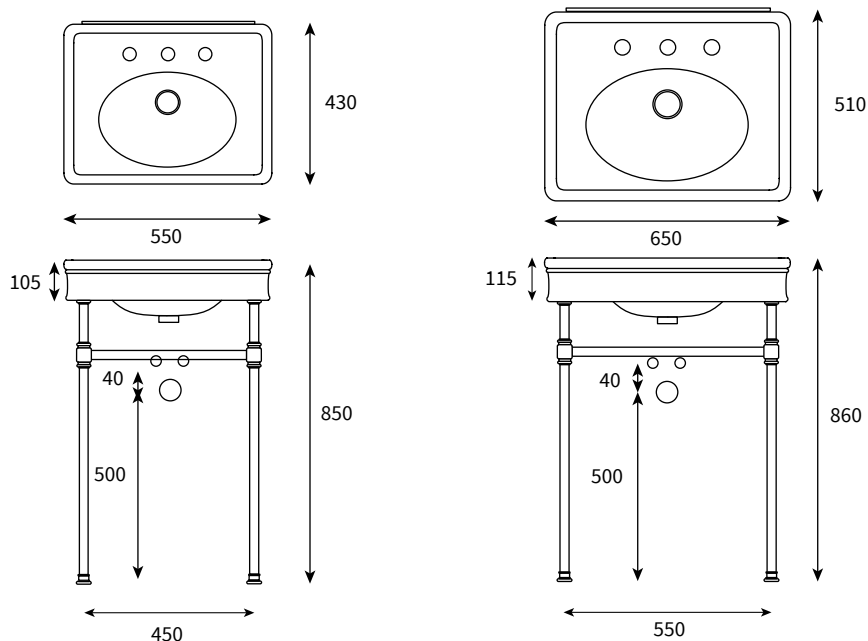
Size:
 Height: 745
 Frontbar: 450CTC
 Sidebars: 378WTC
 Polished Nickel 70000-REG55 PN
 Chrome 70000-REG55 CP

One hole 77650.1L
 Three holes 77650.3L

CYLINDRA Metal stand for 65x51cm

Size:
 Height:745
 Frontbar: 550CTC
 Sidebars: 460WTC
 Polished Nickel 70000-REG65 PN
 Chrome 70000-REG65 CP

·NOVA· CLASSIC



REGENT

Basin with pedestal

The basins of this serie are made for us in England. Our destinct design is based on shapes from the roaring 1920s.

Available in two sizes.

On the wall side of the basin there is a offset to the bottom, so the seal isn't visible .

The pedestal foot wraps around the back completely, so that the design isn't interrupted. There is a big opening above it for the siphon.

The basin is available with one or three holes for the faucets.

·NOVA· CLASSIC

REGENT 55x43cm

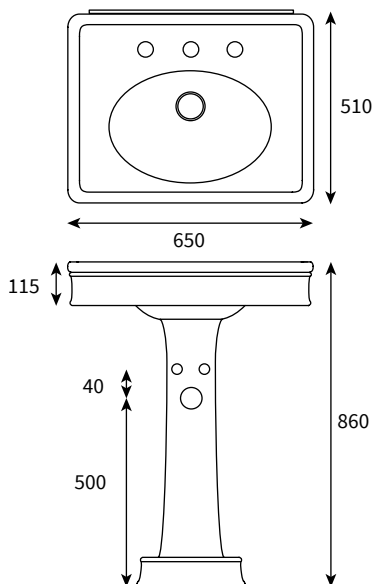
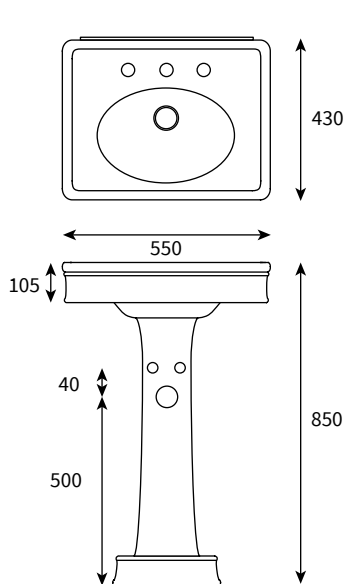
One hole 77550.1L
Three holes 77550.3L

REGENT Pedestal for 55x43cm and 65 x 51cm 77012.00

REGENT 65x51cm

One hole 77650.1L
Three holes 77650.3L

REGENT Pedestal for 55x43cm and 65 x 51cm 77012.00



REGENT

Undermount basin

·NOVA· CLASSIC

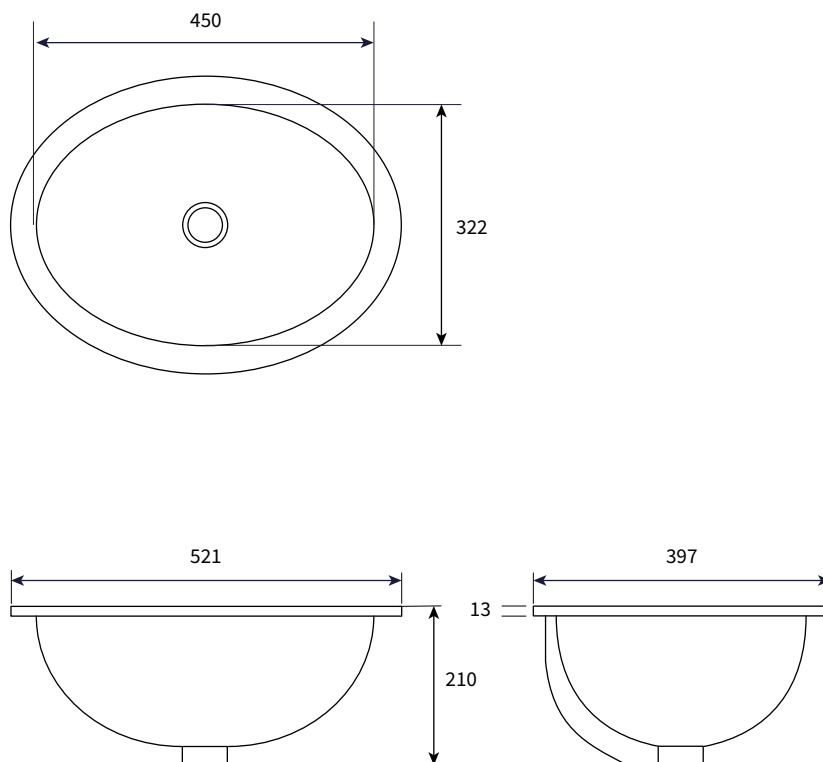
It is glazed on the outside too, so it can be used in a visible situation, like with stone top and a metal frame.

It is the same white as all REGENT items. In the JACKSON range it is available in all the colours.

Undermount basin

45 x 32 cm

76910.00.WH



REGENT WC pan

·NOVA· CLASSIC

For a good flush performance we advice using a Geberit concealed cistern:
SIGMA 12 cm, mounted at +/-97.5 cm (centre flush plate).

REGENT pan

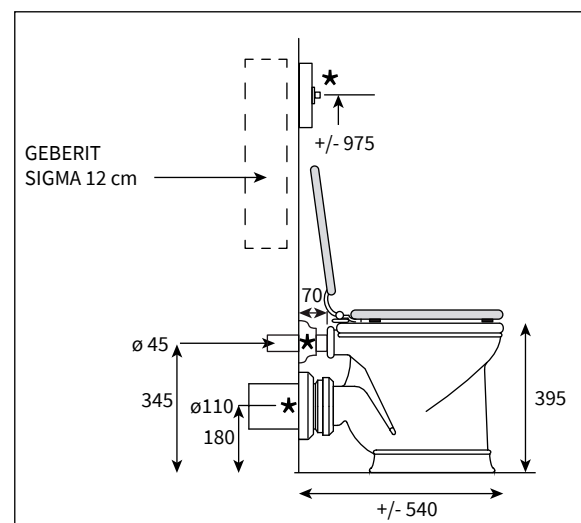
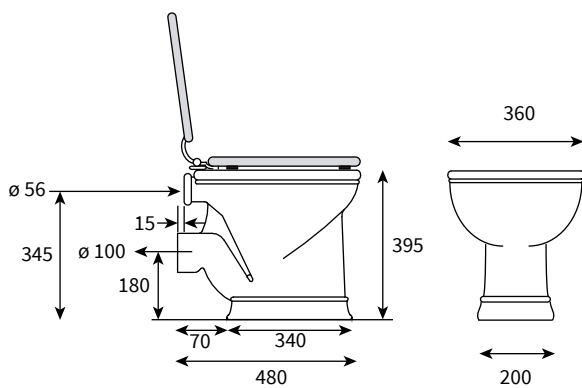
horizontal outlet

77021.00

REGENT toilet seat

available in Black-Oak, Golden-Oak, Walnut, Red Mahagony,
Satin-white

Hinges in Chrome, Pol. Nickel oder Brass



REGENT

WC pan with low level cistern

Order all items A, B, C or D, F and G for a complete set.

NOVA CLASSIC

A REGENT pan

horizontal outlet 77021.00

Fixing screws and seats see pervious page

B REGENT low level cistern Export Version

Knob to pull on the middle of the lid

Inlet: left, right or back side possible 77025.00

C Internal parts for cistern side inlet (S) left or right

Geberit Filling valve 380/383, Geberit- Dual action flushvalve 290, bolts for fastening cistern, 1 cover for side inlet

Chrome button 89010.CP

Pol. Nickel button 89010.PN

Pol. Brass button 89010.UB

D Internal parts for cistern wall inlet (W)

Geberit Filling valve 380/383, Geberit- Dual action flushvalve 290, bolts for fastening cistern, 1/2 x 3/8" angle valve, braided hose, clip for fastening filling valve on to flushvalve, 2 covers for side inlet

Chrome button 89011.CP

Pol. Nickel button 89011.PN

Pol. Brass button 89011.UB

F Adapter for ø38mm flushpipe

Polished Nickel 7-755 PN

Chrome 7-755 CP

G ø38mm flushpipe with pan connector

ø44mm and rubber

Polished Nickel 7-760 PN

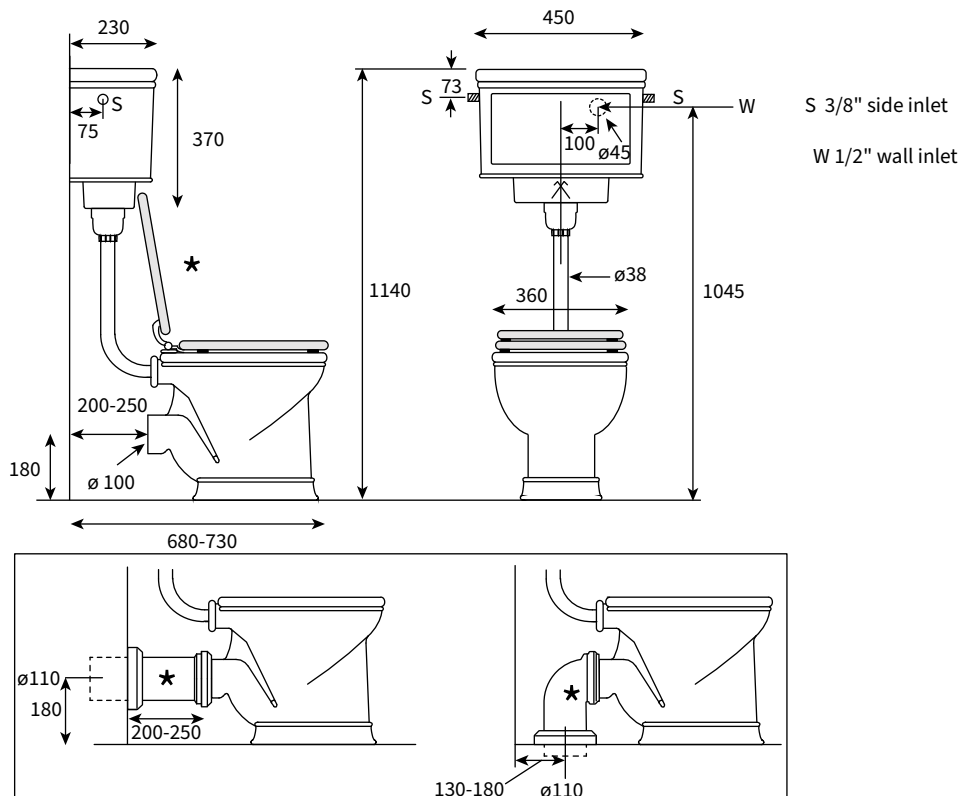
Chrome 7-760 CP

Wooden seats by BARD & BLACKWOOD

(Oak, Walnut, Mahagoni, etc)

Wooden seat made to measure with original adjustable disc hinges

Hinges available in Chrome, Polished Nickel, Brushed Nickel and Gold



JACKSON

Basin with metal stand

The basins of this series are made for us in England. Our distinct design is based on shapes from the 1940/1950s. The bowl is not too large to allow space.

On the wall side of the basin there is a offset to the bottom, so the seal isn't visible.

The basin is available with one or three holes for the faucets.

JACKSON 59 x 47 cm

WHITE One hole	76600.1L.WH
WHITE Three holes	76600.3L.WH
BLUE One hole	76600.1L.BL
BLUE Three holes	76600.3L.BL
GREEN One hole	76600.1L.GR
GREEN Three holes	76600.3L.GR
YELLOW One hole	76600.1L.YE
YELLOW Three holes	76600.3L.YE

BOULE Metal stand for JACKSON 59x47cm

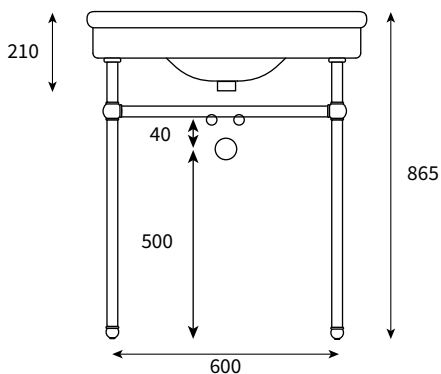
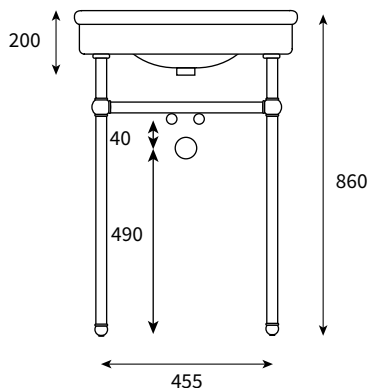
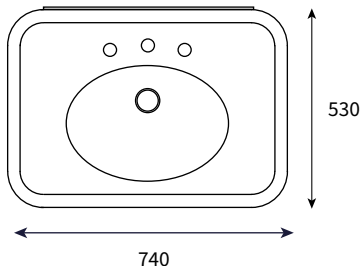
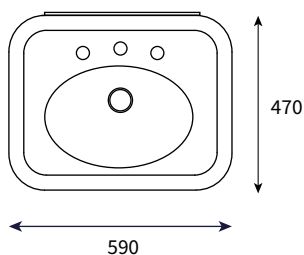
Size: Height: 745 / Frontbar: 455 CTC / Sidebars: 400WTC	
Polished Nickel	70100-JAC59 NP
Chrome	70100-JAC59 CP

JACKSON 74 x 53 cm

WHITE One hole	76750.1L.WH
WHITE Three holes	76750.3L.WH
BLUE One hole	76750.1L.BL
BLUE Three holes	76750.3L.BL
GREEN One hole	76750.1L.GR
GREEN Three holes	76750.3L.GR
YELLOW One hole	76750.1L.YE
YELLOW Three holes	76750.3L.YE

BOULE Metal stand for JACKSON 74x53cm

Size: Height: 745 / Frontbar: 600 CTC / Sidebars: 455WTC	
Polished Nickel	70100-JAC74 NP
Chrome	70100-JAC74 CP



JACKSON

Basin with pedestal

The basins of this series are made for us in England. Our distinct design is based on shapes from the 1940/1950s. The bowl is not too large to allow space.

On the wall side of the basin there is a offset to the bottom, so the seal isn't visible.

The basin is available with one or three holes for the faucets.

JACKSON Basin 59 x 47 cm

WHITE One hole	76600.1L.WH
WHITE Three holes	76600.3L.WH
BLUE One hole	76600.1L.BL
BLUE Three holes	76600.3L.BL
GREEN One hole	76600.1L.GR
GREEN Three holes	76600.3L.GR
YELLOW One hole	76600.1L.YE
YELLOW Three holes	76600.3L.YE

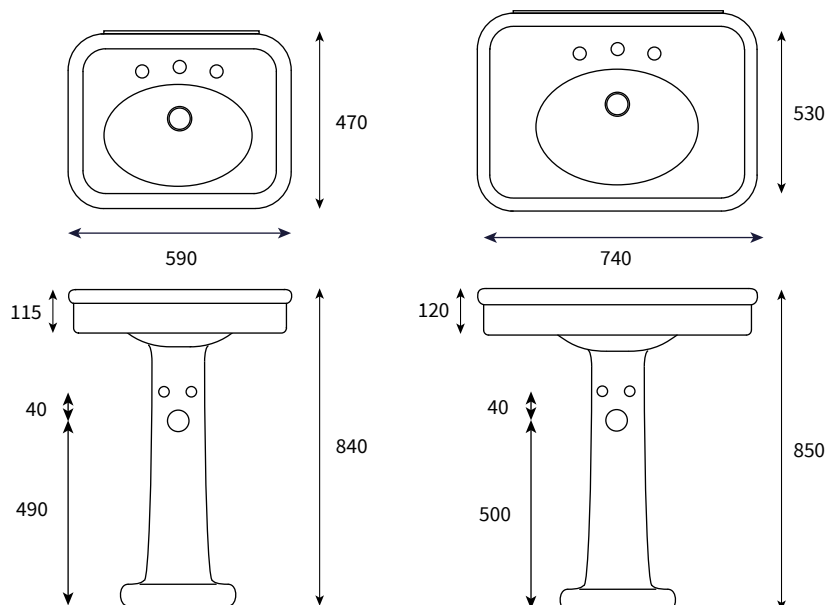
JACKSON Basin 74 x 53 cm

WHITE One hole	76750.1L
WHITE Three holes	76750.3L
BLUE One hole	76750.1L.BL
BLUE Three holes	76750.3L.BL
GREEN One hole	76750.1L.GR
GREEN Three holes	76750.3L.GR
YELLOW One hole	76750.1L.YE
YELLOW Three holes	76750.3L.YE

JACKSON Pedestal for JACKSON 59x47 and 74x53cm

WHITE	76515.00.WH
BLUE	76515.00.BL
GREEN	76515.00.GR
YELLOW	76515.00.YE

·NOVA· CLASSIC



JACKSON

68cm Backsplash Basin with metal stand

The basins of this series are made for us in England. Our distinct design is based on shapes from the 1940/1950s. The bowl is not too large to allow space .

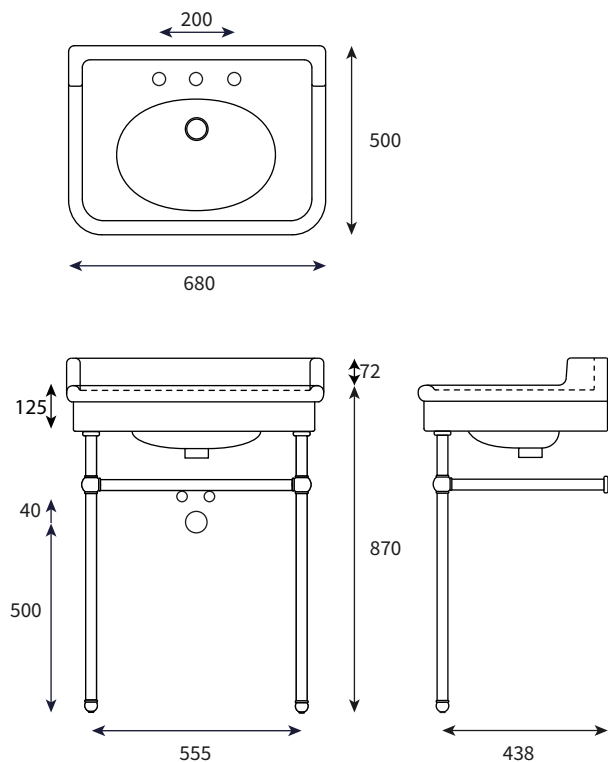
The basin is available with one, three holes or no holes for the faucets.

JACKSON Splashback 68 x 50 cm

WHITE 1 tap hole	76680.1L.WH
WHITE 3 tap holes	76680.3L.WH
WHITE no tap holes	76680.0L.WH
BLUE 1 tap hole	76680.1L.BL
BLUE 3 tap holes	76680.3L.BL
BLUE no tap holes	76680.0L.BL
GREEN 1 tap hole	76680.1L.GR
GREEN 3 tap holes	76680.3L.GR
GREEN no tap holes	76680.0L.GR
YELLOW 1 tap hole	76680.1L.YE
YELLOW 3 tap holes	76680.3L.YE
YELLOW no tap holes	76680.0L.YE

BOULE Metal stand for JACKSON Splashback 68 x 50 cm

Size:
 Height: 745 mm
 Frontbar: 555 CTC
 Sidebars: 438WTC
 Polished Nickel 5-7236 BOULE PN
 Chrome 5-7236 BOULE CP



JACKSON

68cm Backsplash Basin with pedestal

·NOVA· CLASSIC

The basins of this series are made for us in England. Our distinct design is based on shapes from the 1940/1950s. The bowl is not too large to allow space.

The basin is available with one, three holes or no holes for the faucets.

JACKSON Splashback 68 x 50 cm

WHITE 1 tap hole	76680.1L.WH
WHITE 3 tap holes	76680.3L.WH
WHITE no tap holes	76680.0L.WH

BLUE 1 tap hole	76680.1L.BL
BLUE 3 tap holes	76680.3L.BL
BLUE no tap holes	76680.0L.BL

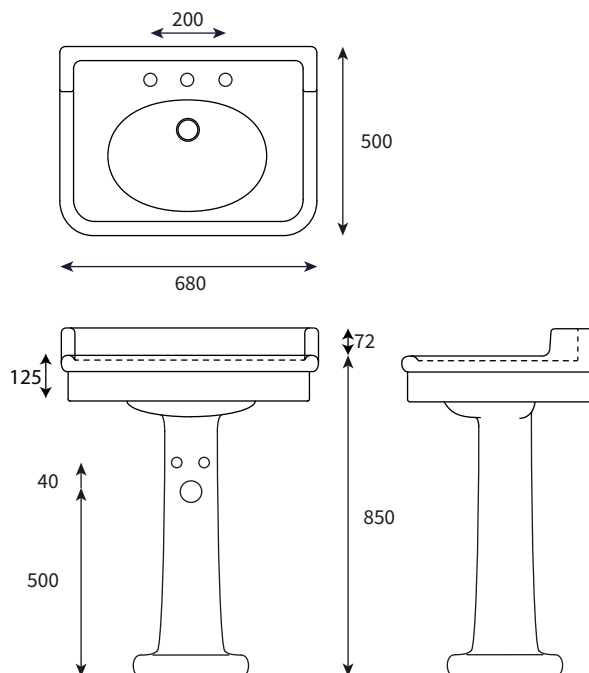
GREEN 1 tap hole	76680.1L.GR
GREEN 3 tap holes	76680.3L.GR
GREEN no tap holes	76680.0L.GR

YELLOW 1 tap hole	76680.1L.YE
YELLOW 3 tap holes	76680.3L.YE
YELLOW no tap holes	76680.0L.YE

JACKSON Pedestal

for 59x47 and 74x53cm

WHITE	76515.00.WH
BLUE	76515.00.BL
GREEN	76515.00.GR
YELLOW	76515.00.YE



JACKSON

68cm Backsplash Basin for on a cabinet

·NOVA· CLASSIC

This version of the backsplash basin is grinded flat on the underside, so it sits flat on a cabinet.

The basins of this series are made for us in England. Our distinct design is based on shapes from the 1940/1950s. The bowl is not too large to allow space.

The basin is available with one, three holes or no holes for the faucets.

JACKSON Splashback 68 x 50 cm for on a cabinet

WHITE 1 tap hole	76680C.1L.WH
WHITE 3 tap holes	76680C.3L.WH
WHITE no tap holes	76680C.0L.WH

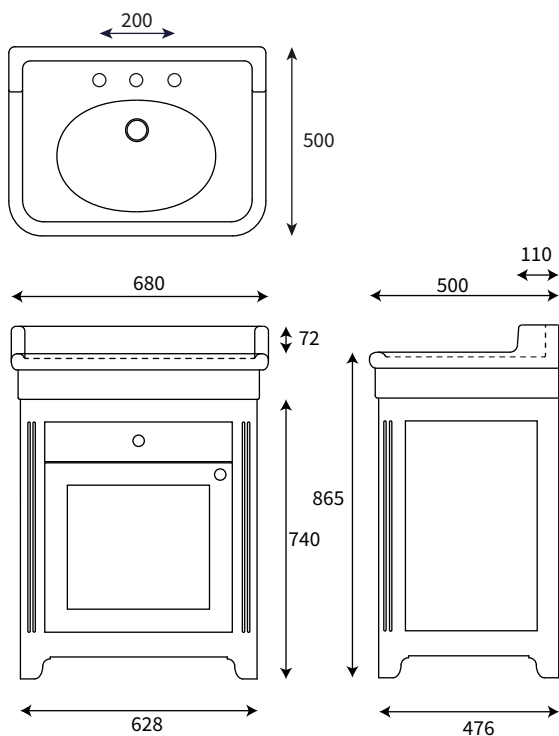
BLUE 1 tap hole	76680C.1L.BL
BLUE 3 tap holes	76680C.3L.BL
BLUE no tap holes	76680C.0L.BL

GREEN 1 tap hole	76680C.1L.GR
GREEN 3 tap holes	76680C.3L.GR
GREEN no tap holes	76680C.0L.GR

YELLOW 1 tap hole	76680C.1L.YE
YELLOW 3 tap holes	76680C.3L.YE
YELLOW no tap holes	76680C.0L.YE

Import: Order with the **C** in the reference no.
That way we grind the basins on the bottom, so they lie flat on the cabinet.

Wooden Cabinet
with a drawer at the top.
Can be made in any RAL colour or matching ROCKWELL colour



JACKSON

Cloakroom basin

The basins of this series are made for us in England. Our distinct design is based on shapes from the 1940/1950s. The bowl is not too large to allow space.

Wall hung basin. Available with no, one or two tapholes for pillar taps.

JACKSON Basin 48 x 30 cm

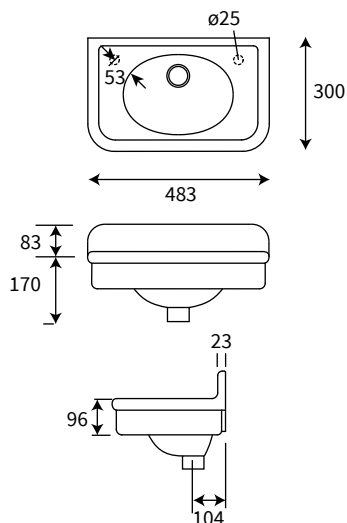
WHITE No tapholes	76480.0L.WH
WHITE One taphole on right side	76480.1L.WH
WHITE Two tapholes on left and right side	76480.2L.WH

BLUE No tapholes	76480.0L.BL
BLUE One taphole on right side	76480.1L.BL
BLUE Two tapholes on left and right side	76480.2L.BL

GREEN No tapholes	76480.0L.GR
GREEN One taphole on right side	76480.1L.GR
GREEN Two tapholes on left and right side	76480.2L.GR

YELLOW No tapholes	76480.0L.YE
YELLOW One taphole on right side	76480.1L.YE
YELLOW Two tapholes on left and right side	76480.2L.YE

·NOVA· CLASSIC



JACKSON Undermount basin

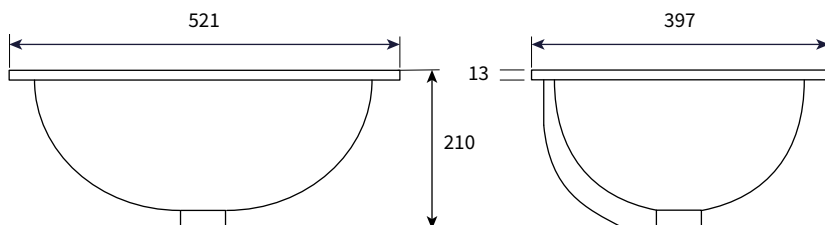
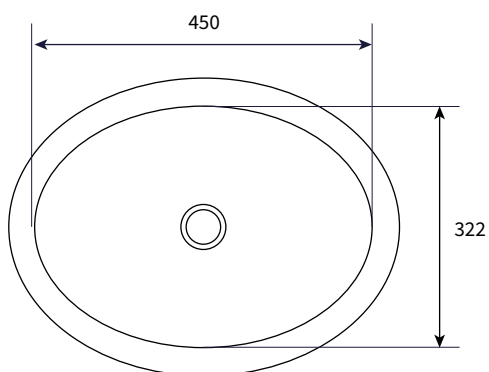
It is glazed on the outside too, so it can be used in a visible situation, like with stone top and a metal frame.

The white is the same as on all the JACKSON or REGENT range.

Undermount basin

WHITE	45 x 32 cm	76910.00.WH
BLUE	45 x 32 cm	76910.00.BL
GREEN	45 x 32 cm	76910.00.GR
YELLOW	45 x 32 cm	76910.00.YE

·NOVA· CLASSIC



JACKSON WC pan „back to wall“

This series are made for us in England. Our distinct design is based on shapes from the 1940/1950s.

For a good flush performance we advice using a Geberit concealed cistern: SIGMA 12 cm, mounted at +/-98.5 cm (centre flush plate).

A JACKSON pan

WHITE	76521.00.WH
BLUE	76521.00.BL
GREEN	76521.00.GR
YELLOW	76521.00.YE

B Coverflange

With this coverflange you are able to connect the lavatory pan to a $\varnothing 90$ mm wastepipe.

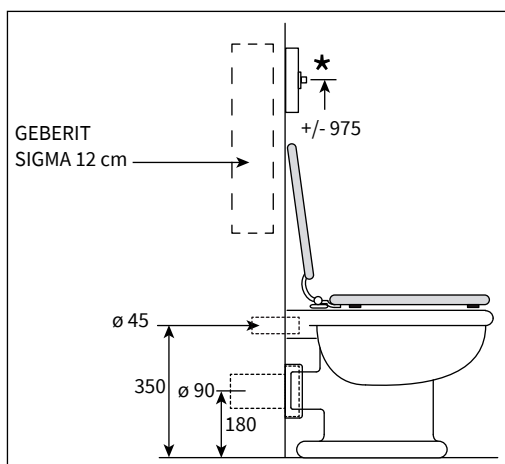
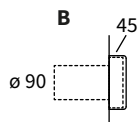
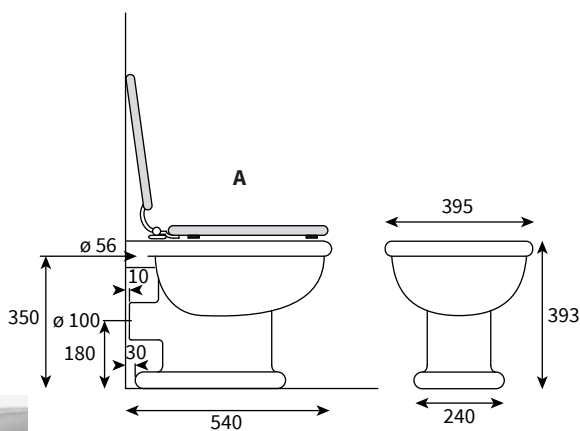
Set includes Geberit Inlet + Soil pipe, no. 152.426.46.1

Nickel plated	89001.01
Chrome plated	89001.03
WHITE (powder-coated)	89001.00.WH
BLUE (powder-coated)	89001.00.BL
GREEN (powder-coated)	89001.00.GR
YELLOW (powder-coated)	89001.00.YE

Toilet seat

available in Black-Oak, Golden-Oak, Walnut, Red Mahogany, Satin-white and in alle ceramic colours
Hinges in Chrome, Pol. Nickel oder Brass

·NOVA· CLASSIC



JACKSON

WC pan C/C close coupled

This series are made for us in England. Our distinct design is based on shapes from the 1940/1950s.

Inlet can be on left or right side or on the back.

Order all items A, B, C or D for a complete set.

A JACKSON C/Cpan

WHITE	76518.00.WH
BLUE	76518.00.BL
GREEN	76518.00.GR
YELLOW	76518.00.YE
PINK	76518.00.PK

B JACKSON Cistern

Inlet: left, right or back side possible

WHITE	76519.00.WH
BLUE	76519.00.BL
GREEN	76519.00.GR
YELLOW	76519.00.YE
PINK	76519.00.PK

C Internal parts for cistern side inlet (S) left or right

Geberit Filling valve 380/383, Geberit- Dual action flushvalve 290, bolts for fastening cistern, 1 cover for side inlet

Chrome button	89010.CP
Pol. Nickel button	89010.PN
Pol. Brass button	89010.UB

D Internal parts for cistern wall inlet (W)

Geberit Filling valve 380/383, Geberit- Dual action flushvalve 290, bolts for fastening cistern, 1/2 x 3/8" angle valve, braided hose, clip for fastening filling valve on to flushvalve, 2 covers for side inlet

Chrome button	89011.CP
Pol. Nickel button	89011.PN
Pol. Brass button	89011.UB

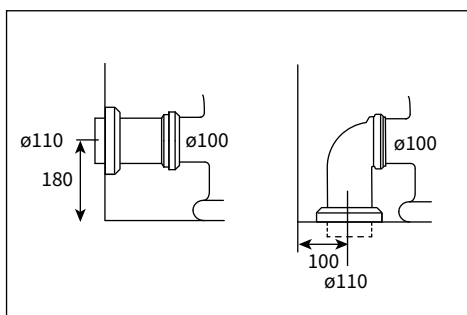
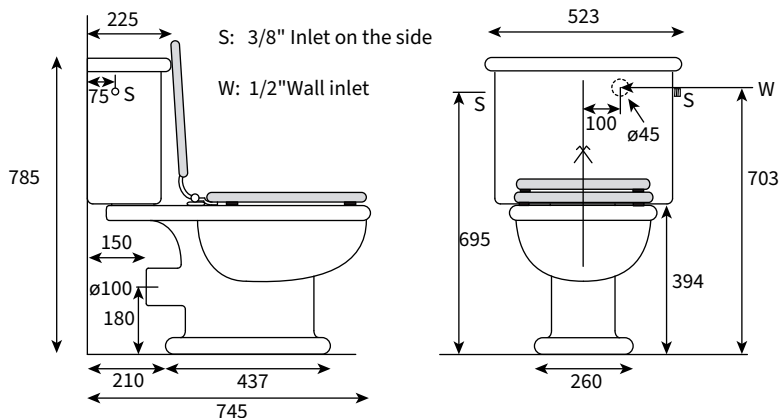
Wooden seats by BARD & BLACKWOOD

(Oak, Walnut, Mahagoni, etc)

„Standard“ seat with original adjustable disc hinges

Hinges available in Chrome, Polished Nickel, Brushed Nickel and Gold

BARD &
BLACKWOOD



NOVA CLASSIC

